

Bell suction cup (round)

FSG 20 NBR-55 G1/8-IG

Part no.:10.01.06.00005

<https://www.schmalz.com/10.01.06.00005>

Homepage > Vacuum Technology for Automation > Vacuum Components > Vacuum Suction Cups > Bellows Suction Cups (Round) > Bellows

Suction Cups FSG (2.5 Folds) > FSG 20 NBR-55 G1/8-IG

Bellows suction cup (round) for very uneven workpieces



Size: 20

Suction cup material:

Nitrile rubber NBR

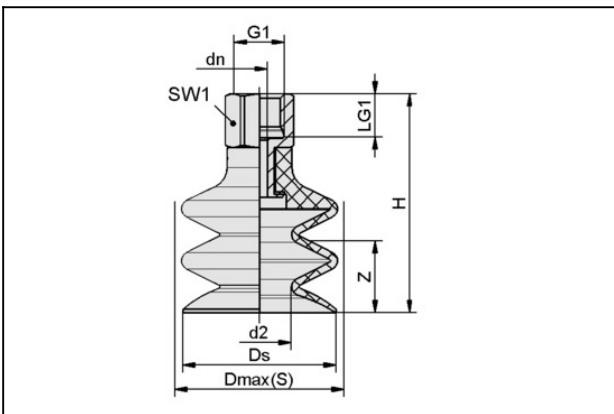
Material hardness: 55 °Sh

Nipple material: Aluminium

Vacuum connection: G1/8"-F

Number of folds: 2.5

Design Data



| Attribute | Value |
|------------|---------|
| d2 | 10.5 mm |
| dn | 3.5 mm |
| Dmax(S) | 21 mm |
| Ds | 20 mm |
| G1 | G1/8"-F |
| H | 34.1 mm |
| LG1 | 8 mm |
| SW1 | 14 mm |
| Z (Stroke) | 9 mm |

Technical Data

Contact to Schmalz

J. Schmalz GmbH | Johannes-Schmalz-Straße, 72293 Glatten, Deutschland | +49 7443 2403-105 | kundencenter@schmalz.de

Bell suction cup (round)

FSG 20 NBR-55 G1/8-IG

Part no.:10.01.06.00005

<https://www.schmalz.com/10.01.06.00005>

| Attribute | Value |
|-----------------------------|-----------------------|
| Suction cup material | Nitrile rubber NBR |
| Material hardness [Shore A] | 55 Shore A |
| Size | 20 |
| Number of folds | 2.5 |
| Connection | G1/8-IG |
| Curve radius (min) (convex) | 30 mm |
| Volume | 2.298 cm ³ |
| Suction force (-600mbar) | 5.2 N |
| Pull-off force | 12.1 N |
| Hose diameter (empf.) d | 4 mm |
| Weight | 6.4 g |
| Product family | FSG |

Note: Suction force: The specified suction forces are theoretical values at a vacuum of -0.6 bar and with a smooth, dry workpiece surface - they do not include a safety factor Pull-off force: The pull-off force of the versions made of natural rubber is reduced by about 40% Hose diameter: The recommended hose diameter refers to a hose length of approx. 2 m

Spare Parts



SA-NIP N016 G1/8-IG DN350

Part no.10.01.06.05731

Suction cup connection nipple

Nipple: N 016

Thread G1: G1/8"-F

Overall length: 18.5 mm

Fitting length: 12 mm

Nominal size: 3,50 mm

Material: Aluminium

Bell suction cup (round)

FSG 20 NBR-55 G1/8-IG

Part no.:10.01.06.00005

<https://www.schmalz.com/10.01.06.00005>



FG 20 NBR-55 N016

Part no.10.01.06.00054

Bellows suction cup (round) for very uneven workpieces

Size: 20

Suction cup material:

Nitrile rubber NBR

Material hardness: 55 °Sh

Number of folds: 2.5

Accessories



FD 16 120

Part no.10.01.06.02565

Filter disc

External diameter D: 16 mm

Filter pore size: 120 µm

for: Bellows suction cup

Size: FG20/FGA20



SPI 21 PEEK

Part no.10.01.06.03285

Suction cup insert for handling of sensitive workpieces without leaving marks

Size: 21

Material: Polyetheretherketon