

## Bellows suction cup (round)

FSG 62 SI-55 G1/4-IG

Part no.:10.01.06.00017

<https://www.schmalz.com/10.01.06.00017>

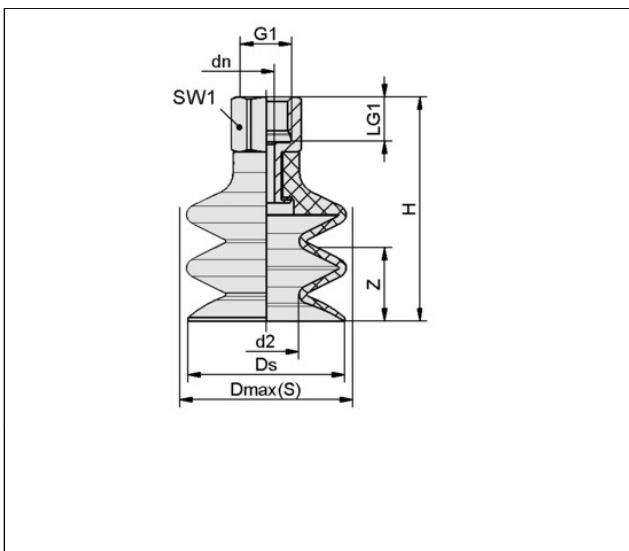
Home > Vacuum Technology for Automation > Vacuum Components > Vacuum Suction Cups > Bellows Suction Cups (Round) > Bellows Suction Cups FSG (2.5 Folds) > FSG 62 SI-55 G1/4-IG

### Bellows suction cup (round) for very uneven workpieces



Size: 62  
 Suction cup material: Silicone SI  
 Material hardness [Shore A]: 55 Shore A  
 Nipple material: Aluminum  
 Connection: G1/4"-F  
 Number of folds: 2.5  
 Vacuum connection: G1/4"-F

### Design Data



Attribute	Value
d2	29.50 mm
dn	4.40 mm
Dmax(S)	65 mm
Ds	62.20 mm
G1	G1/4"-F
H	69 mm
LG1	12 mm
SW1	17 mm
Z (Stroke)	29 mm

### Technical Data

Attribute	Value
-----------	-------

#### Contact Schmalz

J. Schmalz GmbH | Johannes-Schmalz-Str.1, DE-72293 Glatten | +49 7443 2403-105 | [kundencenter@schmalz.de](mailto:kundencenter@schmalz.de)

## Bellows suction cup (round)

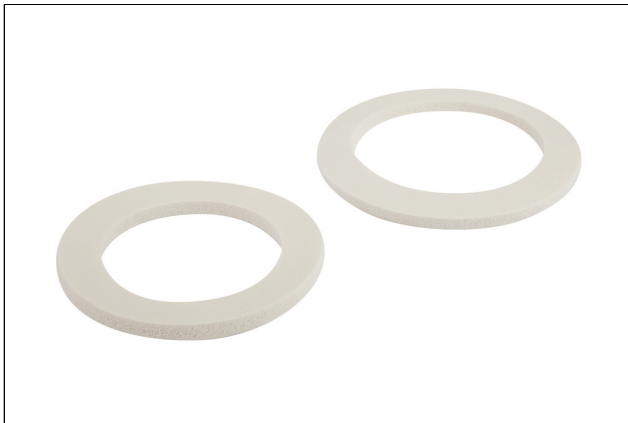
FSG 62 SI-55 G1/4-IG

Part no...:10.01.06.00017

<https://www.schmalz.com/10.01.06.00017>

Suction cup material	Silicone SI
Material hardness [Shore A]	55 Shore A
Size	62
Number of folds	2.50
Connection	G1/4-IG
Curve radius (min) (convex)	75 mm
Volume	61.12 cm <sup>3</sup>
Suction force (-600mbar)	41.01 N
Pull-off force	137 N
Hose diameter (empf.) d	6 mm
Weight	59 g
Product family	FSG

### Accessories



#### **DR 62/42x5 MOS SI-15**

Part no...:10.01.06.02617

External diameter D: 62 mm

Internal diameter d: 42 mm

Height H: 5 mm

Material type: Foam rubber

Sealing material: Silicone SI

Material hardness [Shore A]: 15 Shore A

## Bellows suction cup (round)

FSG 62 SI-55 G1/4-IG

Part no.:10.01.06.00017

<https://www.schmalz.com/10.01.06.00017>



### SU 70

Part no.:10.01.01.12838

Size: 70

Clamping range: 65.0 ... 80.0 mm

Temperature resistance: 80 °C

---

## Spare parts



### SA-NIP N018 G1/4-IG DN440

Part no.:10.01.06.01066

Nipple family: N 018

Thread G1: G1/4"-F

Length L1: 28.8 mm

Fitting length: 15 mm

Nominal diameter dn: 4.4 mm

Spanner size SW2: 5 mm

Material: Aluminum



### FG 62 SI-55 N018

Part no.:10.01.06.00146

Size: 62

Suction cup material: Silicone SI

Material hardness [Shore A]: 55 Shore A

Number of folds: 2.5