

Bellows suction cup (round)

FSG 18 SI-55 G1/8-AG

Part no.:10.01.06.00040

<https://www.schmalz.com/10.01.06.00040>

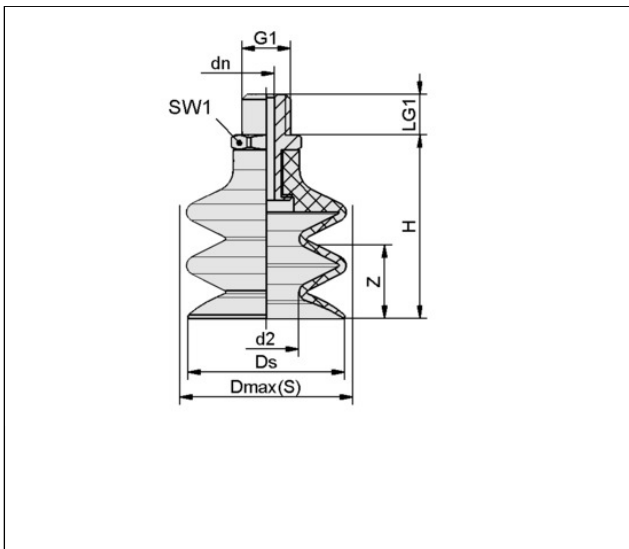
Home > Vacuum Technology for Automation > Vacuum Components > Vacuum Suction Cups > Bellows Suction Cups (Round) > Bellows Suction Cups FSG (2.5 Folds) > FSG 18 SI-55 G1/8-AG

Bellows suction cup (round) for very uneven workpieces



Size: 18
 Suction cup material: Silicone SI
 Material hardness [Shore A]: 55 Shore A
 Nipple material: Aluminum
 Connection: G1/8"-M
 Number of folds: 2.5
 Vacuum connection: G1/8"-M

Design Data



Attribute	Value
d2	8 mm
dn	3.50 mm
Dmax(S)	19 mm
Ds	17.20 mm
G1	G1/8"-M
H	28.60 mm
LG1	7.50 mm
SW1	14 mm
Z (Stroke)	9 mm

Technical Data

Attribute Value

Bellows suction cup (round)

FSG 18 SI-55 G1/8-AG

Part no...:10.01.06.00040

<https://www.schmalz.com/10.01.06.00040>

Suction cup material	Silicone SI
Material hardness [Shore A]	55 Shore A
Size	18
Number of folds	2.50
Connection	G1/8-AG
Curve radius (min) (convex)	20 mm
Volume	1.35 cm ³
Suction force (-600mbar)	3.02 N
Pull-off force	8.50 N
Hose diameter (empf.) d	4 mm
Weight	5.60 g
Product family	FSG

Accessories



SPI 17 PEEK

Part no...:10.01.06.03283

Size: 17

Material: Polyetheretherketon

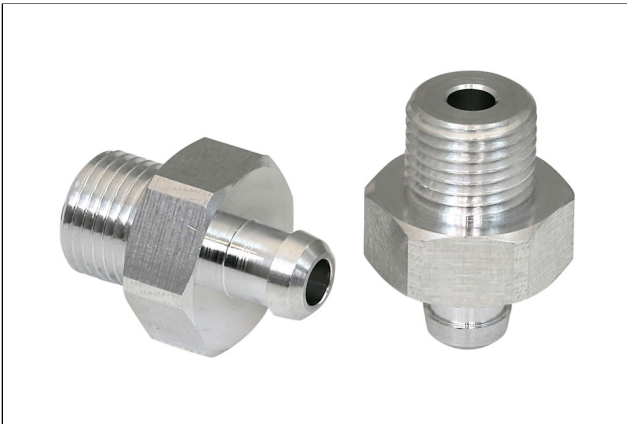
Spare parts

Bellows suction cup (round)

FSG 18 SI-55 G1/8-AG

Part no.:10.01.06.00040

<https://www.schmalz.com/10.01.06.00040>



SA-NIP N016 G1/8-AG DN350

Part no.:10.01.06.05735

Nipple family: N 016

Thread G1: G1/8"-M

Length L1: 20 mm

Fitting length: 6 mm

Nominal diameter dn: 3.5 mm

Material: Aluminum



FG 18 SI-55 N016

Part no.:10.01.06.00058

Size: 18

Suction cup material: Silicone SI

Material hardness [Shore A]: 55 Shore A

Number of folds: 2.5