

Bellows suction cup (round)

FSG 42 SI-55 G1/4-AG

Part no.:10.01.06.00045

<https://www.schmalz.com/10.01.06.00045>

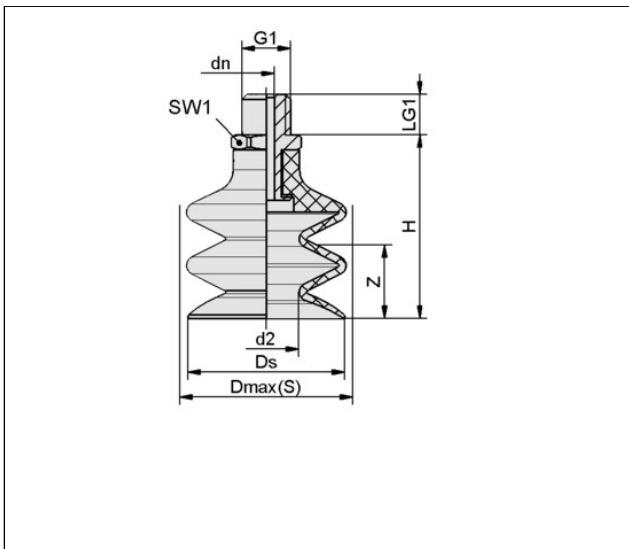
Home > Vacuum Technology for Automation > Vacuum Components > Vacuum Suction Cups > Bellows Suction Cups (Round) > Bellows Suction Cups FSG (2.5 Folds) > FSG 42 SI-55 G1/4-AG

Bellows suction cup (round) for very uneven workpieces



Size: 42
 Suction cup material: Silicone SI
 Material hardness [Shore A]: 55 Shore A
 Nipple material: Aluminum
 Connection: G1/4"-M
 Number of folds: 2.5
 Vacuum connection: G1/4"-M

Design Data



Attribute	Value
d2	17.80 mm
dn	4.40 mm
Dmax(S)	45 mm
Ds	42.60 mm
G1	G1/4"-M
H	50 mm
LG1	11 mm
SW1	17 mm
Z (Stroke)	20 mm

Technical Data

Attribute	Value
-----------	-------

Bellows suction cup (round)

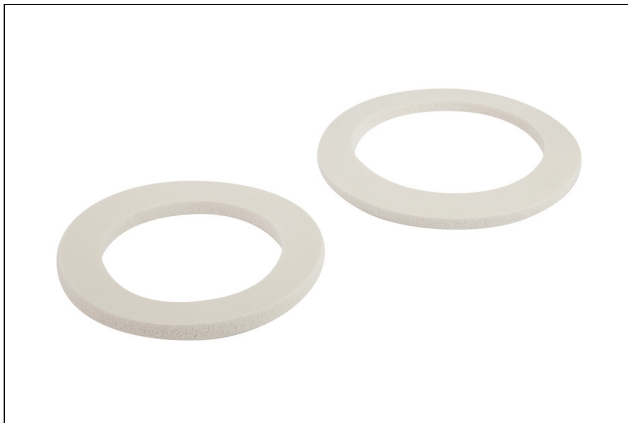
FSG 42 SI-55 G1/4-AG

Part no.:10.01.06.00045

<https://www.schmalz.com/10.01.06.00045>

Suction cup material	Silicone SI
Material hardness [Shore A]	55 Shore A
Size	42
Number of folds	2.50
Connection	G1/4-AG
Curve radius (min) (convex)	75 mm
Volume	19.79 cm ³
Suction force (-600mbar)	14.93 N
Pull-off force	44 N
Hose diameter (empf.) d	6 mm
Weight	27 g
Product family	FSG

Accessories



DR 42/20x5 MOS SI-15

Part no.:10.01.06.02616

External diameter D: 42 mm

Internal diameter d: 20 mm

Height H: 5 mm

Material type: Foam rubber

Sealing material: Silicone SI

Material hardness [Shore A]: 15 Shore A

Bellows suction cup (round)

FSG 42 SI-55 G1/4-AG

Part no.:10.01.06.00045

<https://www.schmalz.com/10.01.06.00045>



FD 34 120

Part no.:10.01.06.02572

External diameter D: 34 mm

Filter pore size: 120 µm

Construction use: Bellows suction cup

Size: FG 42



SU 40

Part no.:10.01.01.12856

Size: 40

Clamping range: 35.0 ... 45.0 mm

Temperature resistance: 80 °C

Spare parts



SA-NIP N018 G1/4-AG DN440

Part no.:10.01.06.01065

Nipple family: N 018

Thread G1: G1/4"-M

Length L1: 28.8 mm

Fitting length: 4 mm

Nominal diameter dn: 4.4 mm

Spanner size SW2: 5 mm

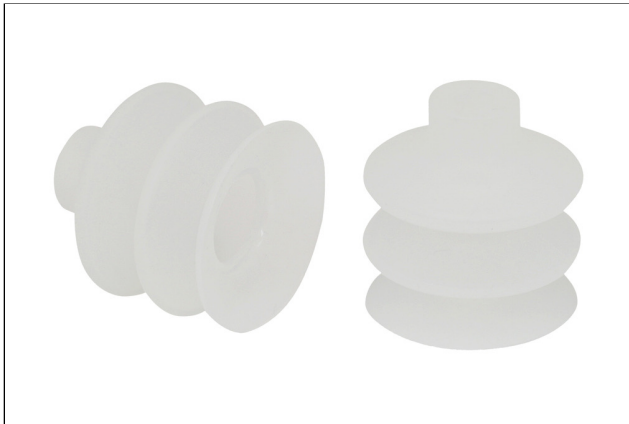
Material: Aluminum

Bellows suction cup (round)

FSG 42 SI-55 G1/4-AG

Part no.:10.01.06.00045

<https://www.schmalz.com/10.01.06.00045>



FG 42 SI-55 N018

Part no.:10.01.06.00145

Size: 42

Suction cup material: Silicone SI

Material hardness [Shore A]: 55 Shore A

Number of folds: 2.5