

# Bellows suction cup (round)

FSG 5 NBR-55 M5-AG

Part no.:10.01.06.00663

<https://www.schmalz.com/10.01.06.00663>

Home > Vacuum Technology for Automation > Vacuum Components > Vacuum Suction Cups > Bellows Suction Cups (Round) > Bellows Suction Cups FSG (2.5 Folds) > FSG 5 NBR-55 M5-AG

## Bellows suction cup (round) for very uneven workpieces



Size: 5

Suction cup material: Nitrile rubber NBR

Material hardness [Shore A]: 55 Shore A

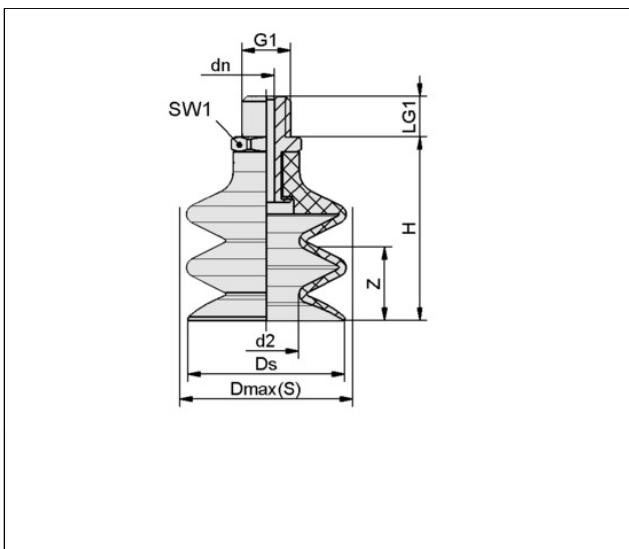
Nipple material: Aluminum

Connection: M5-M

Number of folds: 2.5

Vacuum connection: M5-M

## Design Data



Attribute	Value
d2	2.60 mm
dn	2 mm
Dmax(S)	7 mm
Ds	5 mm
G1	M5-M
H	19 mm
LG1	5 mm
SW1	8 mm
Z (Stroke)	2 mm

## Technical Data

Attribute	Value
-----------	-------

### Contact Schmalz

J. Schmalz GmbH | Johannes-Schmalz-Str.1, D-72293 Glatten | +49 7443 2403-102 | [customercenter@schmalz.de](mailto:customercenter@schmalz.de)

## Bellows suction cup (round)

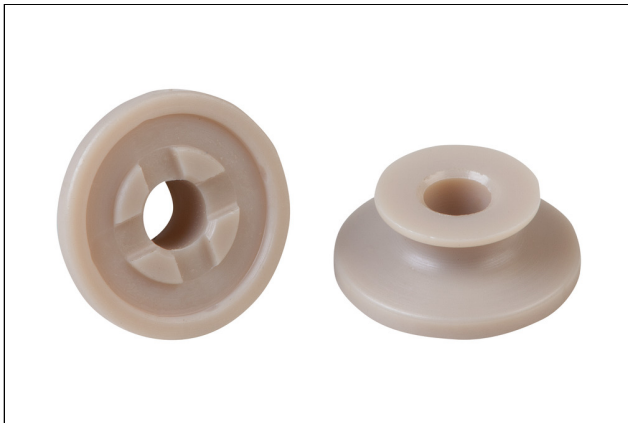
FSG 5 NBR-55 M5-AG

Part no...:10.01.06.00663

<https://www.schmalz.com/10.01.06.00663>

Suction cup material	Nitrile rubber NBR
Material hardness [Shore A]	55 Shore A
Size	5
Number of folds	2.50
Connection	M5-AG
Curve radius (min) (convex)	7.50 mm
Volume	0.03 cm <sup>3</sup>
Suction force (-600mbar)	0.32 N
Pull-off force	0.80 N
Hose diameter (empf.) d	2 mm
Weight	1.50 g
Product family	FSG

### Accessories



#### SPI 6 PEEK

Part no...:10.01.06.03279

Size: 6

Material: Polyetheretherketon

### Spare parts

## Bellows suction cup (round)

FSG 5 NBR-55 M5-AG

Part no.:10.01.06.00663

<https://www.schmalz.com/10.01.06.00663>



### SA-NIP N017 M5-AG DN200

Part no.:10.01.06.00314

Thread G1: M5-M

Fitting length: 5 mm

Material: Aluminum



### FG 5 NBR-55 N017

Part no.:10.01.06.00640

Size: 5

Suction cup material: Nitrile rubber NBR

Material hardness [Shore A]: 55 Shore A

Number of folds: 2.5