

# Bellows suction cup (round)

FSG 9 HT1-60 G1/8-AG

Part no.:10.01.06.00962

<https://www.schmalz.com/10.01.06.00962>

Home > Vacuum Technology for Automation > Vacuum Components > Vacuum Suction Cups > Bellows Suction Cups (Round) > Bellows Suction Cups FSG (2.5 Folds) > FSG 9 HT1-60 G1/8-AG

## Bellows suction cup (round) for very uneven workpieces



Size: 9

Suction cup material: High temp material HT1

Material hardness [Shore A]: 60 Shore A

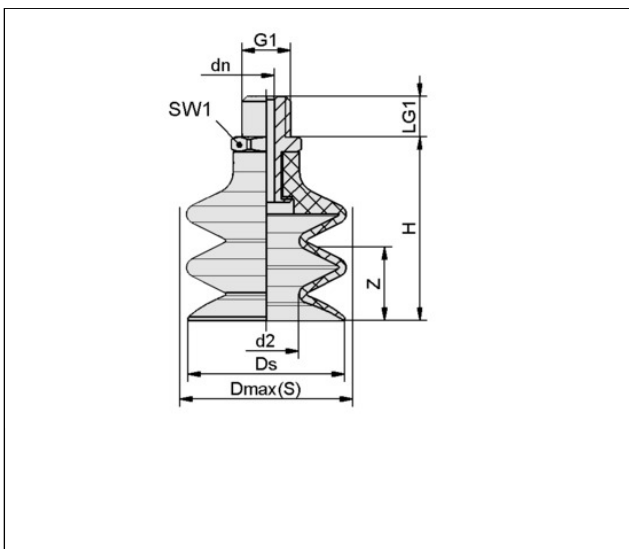
Nipple material: Aluminum

Connection: G1/8"-M

Number of folds: 2.5

Vacuum connection: G1/8"-M

## Design Data



Attribute	Value
d2	4.10 mm
dn	3.50 mm
Dmax(S)	9.50 mm
Ds	9 mm
G1	G1/8"-M
H	21 mm
LG1	7.50 mm
SW1	14 mm
Z (Stroke)	3 mm

## Technical Data

Attribute	Value
-----------	-------

### Contact Schmalz

J. Schmalz GmbH | Johannes-Schmalz-Str.1, D-72293 Glatten | +49 7443 2403-102 | [customercenter@schmalz.de](mailto:customercenter@schmalz.de)

## Bellows suction cup (round)

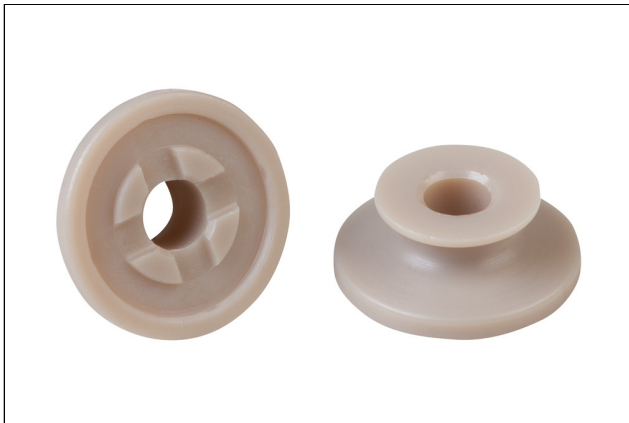
FSG 9 HT1-60 G1/8-AG

Part no...:10.01.06.00962

<https://www.schmalz.com/10.01.06.00962>

Suction cup material	High temp material HT1
Material hardness [Shore A]	60 Shore A
Size	9
Number of folds	2.50
Connection	G1/8-AG
Curve radius (min) (convex)	10 mm
Volume	0.15 cm <sup>3</sup>
Suction force (-600mbar)	0.79 N
Pull-off force	2.30 N
Hose diameter (empf.) d	4 mm
Weight	4.50 g
Product family	FSG

### Accessories



#### SPI 9 PEEK

Part no...:10.01.06.03280

Size: 9

Material: Polyetheretherketon

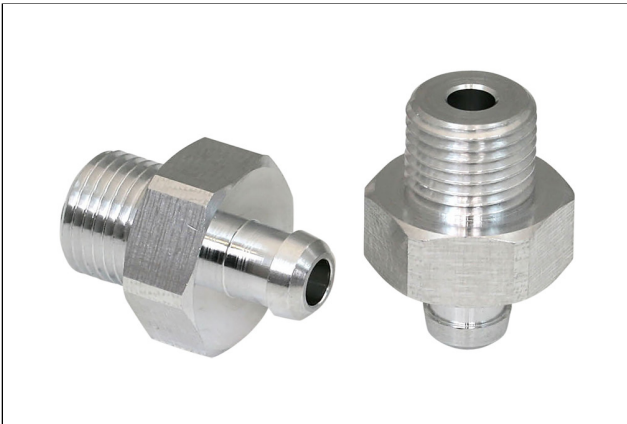
### Spare parts

## Bellows suction cup (round)

FSG 9 HT1-60 G1/8-AG

Part no.:10.01.06.00962

<https://www.schmalz.com/10.01.06.00962>



### SA-NIP N016 G1/8-AG DN350

Part no.:10.01.06.05735

Nipple family: N 016

Thread G1: G1/8"-M

Length L1: 20 mm

Fitting length: 6 mm

Nominal diameter dn: 3.5 mm

Material: Aluminum



### FG 9 HT1-60 N016

Part no.:10.01.06.00878

Size: 9

Suction cup material: High temp material HT1

Material hardness [Shore A]: 60 Shore A

Number of folds: 2.5