

Bellows suction cup (round)

FSG 20 HT1-60 G1/8-IG

Part no.:10.01.06.01245

<https://www.schmalz.com/10.01.06.01245>

Home > Vacuum Technology for Automation > Vacuum Components > Vacuum Suction Cups > Bellows Suction Cups (Round) > Bellows Suction Cups FSG (2.5 Folds) > FSG 20 HT1-60 G1/8-IG

Bellows suction cup (round) for very uneven workpieces



Size: 20

Suction cup material: High temp material HT1

Material hardness [Shore A]: 60 Shore A

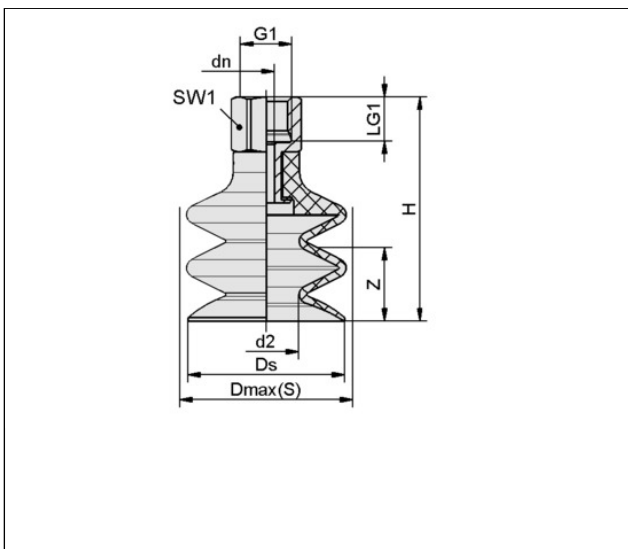
Nipple material: Aluminum

Connection: G1/8"-F

Number of folds: 2.5

Vacuum connection: G1/8"-F

Design Data



Attribute	Value
d2	10.50 mm
dn	3.50 mm
Dmax(S)	21 mm
Ds	20 mm
G1	G1/8"-F
H	34.10 mm
LG1	8 mm
SW1	14 mm
Z (Stroke)	9 mm

Technical Data

Attribute	Value
-----------	-------

Contact Schmalz

J. Schmalz GmbH | Johannes-Schmalz-Str.1, D-72293 Glatten | +49 7443 2403-102 | customercenter@schmalz.de

Bellows suction cup (round)

FSG 20 HT1-60 G1/8-IG

Part no.:10.01.06.01245

<https://www.schmalz.com/10.01.06.01245>

Suction cup material	High temp material HT1
Material hardness [Shore A]	60 Shore A
Size	20
Number of folds	2.50
Connection	G1/8-IG
Curve radius (min) (convex)	30 mm
Volume	2.30 cm ³
Suction force (-600mbar)	5.20 N
Pull-off force	12.10 N
Hose diameter (empf.) d	4 mm
Weight	6.40 g
Product family	FSG

Accessories



FD 16 120

Part no.:10.01.06.02565

External diameter D: 16 mm

Filter pore size: 120 µm

Construction use: Bellows suction cup

Size: FG20/FGA20

Bellows suction cup (round)

FSG 20 HT1-60 G1/8-IG

Part no...:10.01.06.01245

<https://www.schmalz.com/10.01.06.01245>



SPI 21 PEEK

Part no...:10.01.06.03285

Size: 21

Material: Polyetheretherketon

Spare parts



SA-NIP N016 G1/8-IG DN350

Part no...:10.01.06.05731

Nipple family: N 016

Thread G1: G1/8"-F

Length L1: 18.5 mm

Fitting length: 12 mm

Nominal diameter dn: 3.5 mm

Material: Aluminum



FG 20 HT1-60 N016

Part no...:10.01.06.01253

Size: 20

Suction cup material: High temp material HT1

Material hardness [Shore A]: 60 Shore A

Number of folds: 2.5