

Bellows suction cup (round)

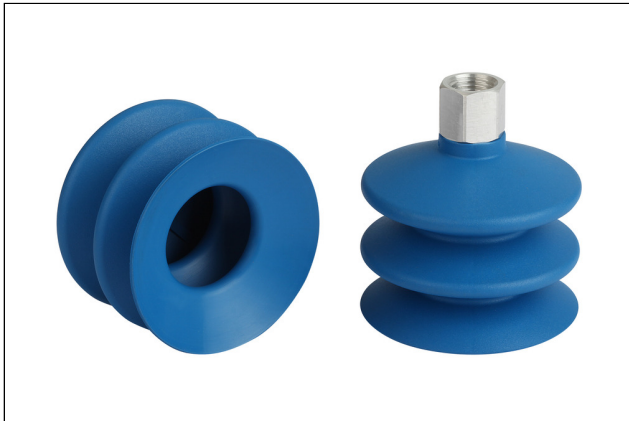
FSG 62 HT1-60 G1/4-IG

Part no.:10.01.06.02481

<https://www.schmalz.com/10.01.06.02481>

Home > Vacuum Technology for Automation > Vacuum Components > Vacuum Suction Cups > Bellows Suction Cups (Round) > Bellows Suction Cups FSG (2.5 Folds) > FSG 62 HT1-60 G1/4-IG

Bellows suction cup (round) for very uneven workpieces



Size: 62

Suction cup material: High temp material HT1

Material hardness [Shore A]: 60 Shore A

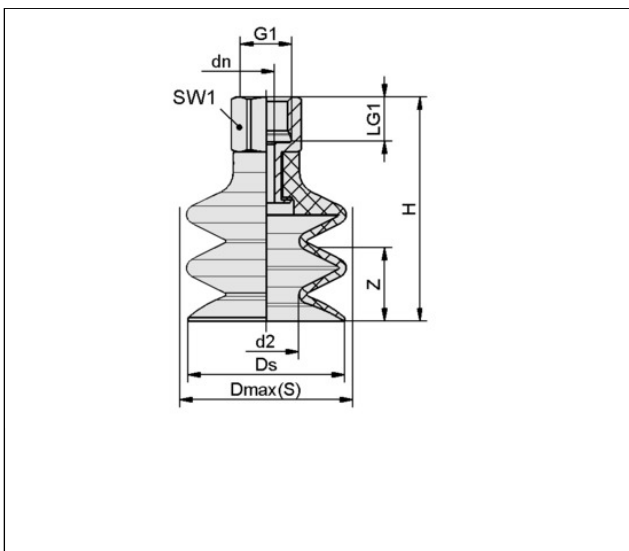
Nipple material: Aluminum

Connection: G1/4"-F

Number of folds: 2.5

Vacuum connection: G1/4"-F

Design Data



Attribute	Value
d2	29.50 mm
dn	4.40 mm
Dmax(S)	65 mm
Ds	62.20 mm
G1	G1/4"-F
H	70 mm
LG1	12 mm
SW1	17 mm
Z (Stroke)	29 mm

Technical Data

Attribute	Value
-----------	-------

Contact Schmalz

J. Schmalz GmbH | Johannes-Schmalz-Str.1, D-72293 Glatten | +49 7443 2403-102 | customercenter@schmalz.de

Bellows suction cup (round)

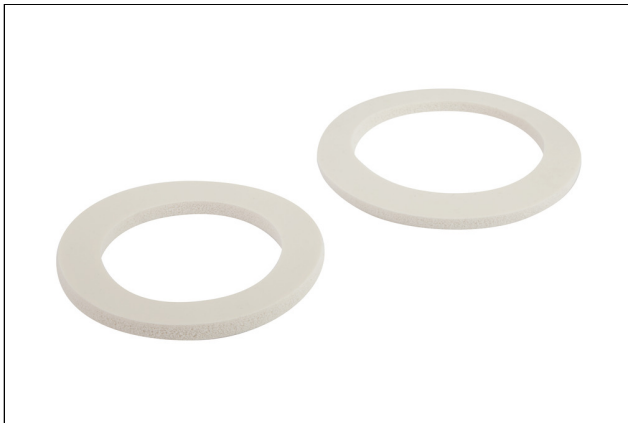
FSG 62 HT1-60 G1/4-IG

Part no.:10.01.06.02481

<https://www.schmalz.com/10.01.06.02481>

Suction cup material	High temp material HT1
Material hardness [Shore A]	60 Shore A
Size	62
Number of folds	2.50
Connection	G1/4-IG
Curve radius (min) (convex)	75 mm
Volume	72.50 cm ³
Suction force (-600mbar)	41.01 N
Pull-off force	137 N
Hose diameter (empf.) d	6 mm
Weight	59 g
Product family	FSG

Accessories



DR 62/42x5 MOS SI-15

Part no.:10.01.06.02617

External diameter D: 62 mm

Internal diameter d: 42 mm

Height H: 5 mm

Material type: Foam rubber

Sealing material: Silicone SI

Material hardness [Shore A]: 15 Shore A

Bellows suction cup (round)

FSG 62 HT1-60 G1/4-IG

Part no.:10.01.06.02481

<https://www.schmalz.com/10.01.06.02481>



SU 70

Part no.:10.01.01.12838

Size: 70

Clamping range: 65.0 ... 80.0 mm

Temperature resistance: 80 °C

Spare parts



SA-NIP N018 G1/4-IG DN440

Part no.:10.01.06.01066

Nipple family: N 018

Thread G1: G1/4"-F

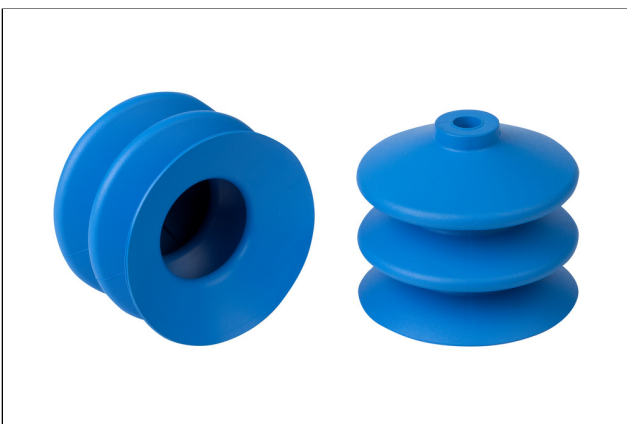
Length L1: 28.8 mm

Fitting length: 15 mm

Nominal diameter dn: 4.4 mm

Spanner size SW2: 5 mm

Material: Aluminum



FG 62 HT1-60 N018

Part no.:10.01.06.02475

Size: 62

Suction cup material: High temp material HT1

Material hardness [Shore A]: 60 Shore A

Number of folds: 2.5