

# Bellows suction cup (round)

FSG 4 HT1-60 M5-AG

Part no.:10.01.06.02968

<https://www.schmalz.com/10.01.06.02968>

Home > Vacuum Technology for Automation > Vacuum Components > Vacuum Suction Cups > Bellows Suction Cups (Round) > Bellows Suction Cups FSG (2.5 Folds) > FSG 4 HT1-60 M5-AG

## Bellows suction cup (round) for very uneven workpieces



Size: 4

Suction cup material: High temp material HT1

Material hardness [Shore A]: 60 Shore A

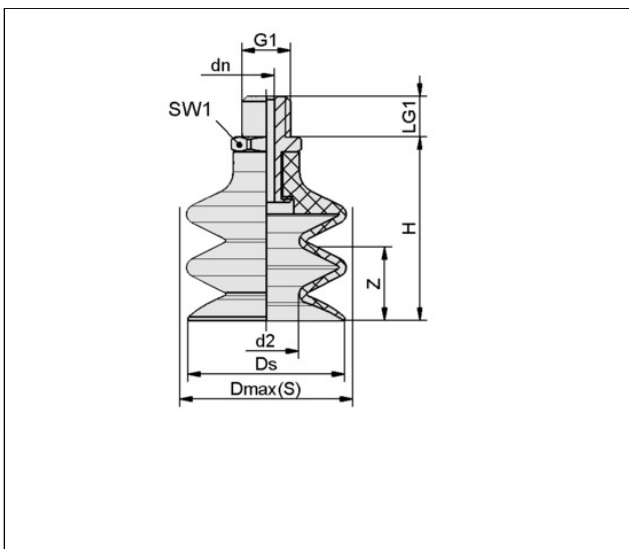
Nipple material: Aluminum

Connection: M5-M

Number of folds: 2.5

Vacuum connection: M5-M

## Design Data



Attribute	Value
d2	2.40 mm
dn	2 mm
Dmax(S)	7 mm
Ds	3.80 mm
G1	M5-M
H	19 mm
LG1	5 mm
SW1	8 mm
Z (Stroke)	1.50 mm

## Technical Data

Attribute	Value
-----------	-------

### Contact Schmalz

J. Schmalz GmbH | Johannes-Schmalz-Str.1, D-72293 Glatten | +49 7443 2403-102 | [customercenter@schmalz.de](mailto:customercenter@schmalz.de)

## Bellows suction cup (round)

FSG 4 HT1-60 M5-AG

Part no...:10.01.06.02968

<https://www.schmalz.com/10.01.06.02968>

Suction cup material	High temp material HT1
Material hardness [Shore A]	60 Shore A
Size	4
Number of folds	2.50
Connection	M5-AG
Curve radius (min) (convex)	4 mm
Volume	0.05 cm <sup>3</sup>
Suction force (-600mbar)	0.27 N
Pull-off force	0.60 N
Hose diameter (empf.) d	2 mm
Weight	1.50 g
Product family	FSG

### Spare parts



#### SA-NIP N017 M5-AG DN200

Part no...:10.01.06.00314

Thread G1: M5-M

Fitting length: 5 mm

Material: Aluminum

## Bellows suction cup (round)

FSG 4 HT1-60 M5-AG

Part no.:10.01.06.02968

<https://www.schmalz.com/10.01.06.02968>



### FG 4 HT1-60 N017

Part no.:10.01.06.02930

Size: 4

Suction cup material: High temp material HT1

Material hardness [Shore A]: 60 Shore A

Number of folds: 2.5