

Bell suction cup (round)

SAX 30 ED-85 G3/8-IG

Part no.:10.01.19.00146

<https://www.schmalz.com/10.01.19.00146>

Homepage > Vacuum Technology for Automation > Vacuum Components > Vacuum Suction Cups > Suction Cups for Handling Sheet Metal >

Bell-Shaped Suction Cups SAX > SAX 30 ED-85 G3/8-IG

Bell suction cup (round) for best adaptation to strongly curved surfaces



Size: 30

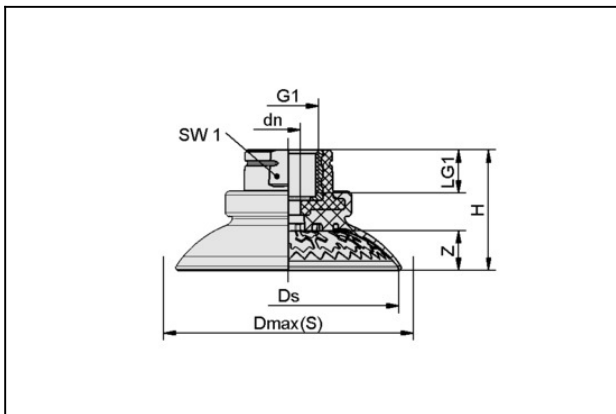
Suction cup material: Elastodur

Material hardness: 85 °Sh

Vacuum connection: G3/8"-F

Nipple material: TPU-GF

Design Data



Attribute	Value
dn	6.75 mm
Dmax(S)	35.2 mm
Ds	31.7 mm
G1	G3/8"-F
H	26 mm
LG1	12 mm
SW1	22 mm
Z (Stroke)	4.5 mm

Technical Data

Contact to Schmalz

J. Schmalz GmbH | Johannes-Schmalz-Straße, 72293 Glatten, Deutschland | +49 7443 2403-102 | customercenter@schmalz.de

Bell suction cup (round)

SAX 30 ED-85 G3/8-IG

Part no.:10.01.19.00146

<https://www.schmalz.com/10.01.19.00146>



Attribute	Value
Suction force (-600mbar)	39 N
Lateral force	38 N
Lateral force (oily surface)	41 N
Volume	3.2 cm ³
Curve radius (min) (convex)	18 mm
Size	30
Connection	G3/8"-F
Number of folds	0
Suction cup material	Elastodur
Material hardness [Shore A]	85 Shore A
Weight	24 g
Product family	SAX
