

## Bell suction cup (round)

### SAX 60 ED-85 G3/8-IG

Part no.:10.01.19.00152

<https://www.schmalz.com/10.01.19.00152>

Homepage > Vacuum Technology for Automation > Vacuum Components > Vacuum Suction Cups > Suction Cups for Handling Sheet Metal >

Bell-Shaped Suction Cups SAX > SAX 60 ED-85 G3/8-IG

## Bell suction cup (round) for best adaptation to strongly curved surfaces



Size: 60

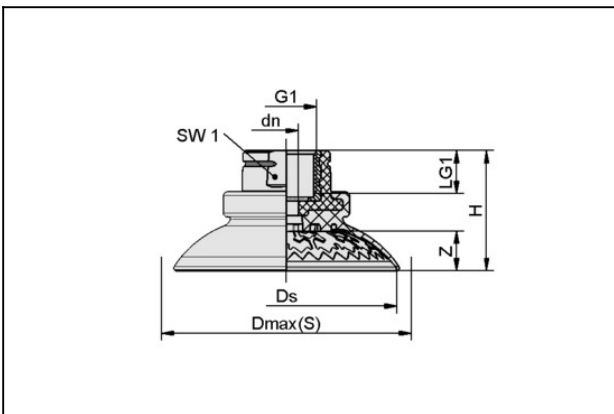
Suction cup material: Elastodur

Material hardness: 85 °Sh

Vacuum connection: G3/8"-F

Nipple material: TPU-GF

## Design Data



Attribute	Value
dn	6.75 mm
Dmax(S)	69.7 mm
Ds	61.5 mm
G1	G3/8"-F
H	33.4 mm
LG1	12 mm
SW1	22 mm
Z (Stroke)	10.9 mm

## Technical Data

### Contact to Schmalz

J. Schmalz GmbH | Johannes-Schmalz-Straße, 72293 Glatten, Deutschland | +49 7443 2403-102 | [customercenter@schmalz.de](mailto:customercenter@schmalz.de)

## Bell suction cup (round)

### SAX 60 ED-85 G3/8-IG

Part no.:10.01.19.00152

<https://www.schmalz.com/10.01.19.00152>



<b>Attribute</b>	<b>Value</b>
Suction force (-600mbar)	154 N
Lateral force	107 N
Lateral force (oily surface)	155 N
Volume	25.2 cm <sup>3</sup>
Curve radius (min) (convex)	30 mm
Size	60
Connection	G3/8"-F
Number of folds	0
Suction cup material	Elastodur
Material hardness [Shore A]	85 Shore A
Weight	29.5 g
Product family	SAX

---

---