

Bell suction cup (round)

SAX 115 ED-85 G3/8-IG

Part no.:10.01.19.00156

<https://www.schmalz.com/10.01.19.00156>

Homepage > Vacuum Technology for Automation > Vacuum Components > Vacuum Suction Cups > Suction Cups for Handling Sheet Metal >

Bell-Shaped Suction Cups SAX > SAX 115 ED-85 G3/8-IG

Bell suction cup (round) for best adaptation to strongly curved surfaces



Size: 115

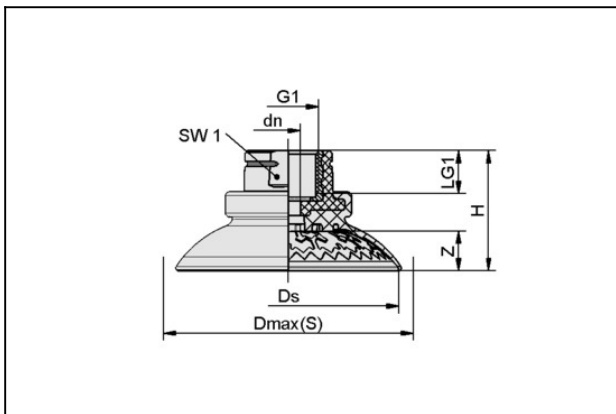
Suction cup material: Elastodur

Material hardness: 85 °Sh

Vacuum connection: G3/8"-F

Nipple material: TPU-GF

Design Data



Attribute	Value
dn	6.75 mm
Dmax(S)	129.4 mm
Ds	116 mm
G1	G3/8"-F
H	42.6 mm
LG1	12 mm
SW1	22 mm
Z (Stroke)	20.2 mm

Technical Data

Contact to Schmalz

J. Schmalz GmbH | Johannes-Schmalz-Straße, 72293 Glatten, Deutschland | +49 7443 2403-102 | customercenter@schmalz.de

Bell suction cup (round)

SAX 115 ED-85 G3/8-IG

Part no.:10.01.19.00156

<https://www.schmalz.com/10.01.19.00156>



Attribute	Value
Suction force (-600mbar)	549 N
Lateral force	390 N
Lateral force (oily surface)	584 N
Volume	142 cm ³
Curve radius (min) (convex)	50 mm
Size	115
Connection	G3/8"-F
Number of folds	0
Suction cup material	Elastodur
Material hardness [Shore A]	85 Shore A
Weight	64.5 g
Product family	SAX
