

Bell suction cup (round)

SAX 100 ED-85 G3/8-AG

Part no.:10.01.19.00200

<https://www.schmalz.com/10.01.19.00200>

Homepage > Vacuum Technology for Automation > Vacuum Components > Vacuum Suction Cups > Suction Cups for Handling Sheet Metal >

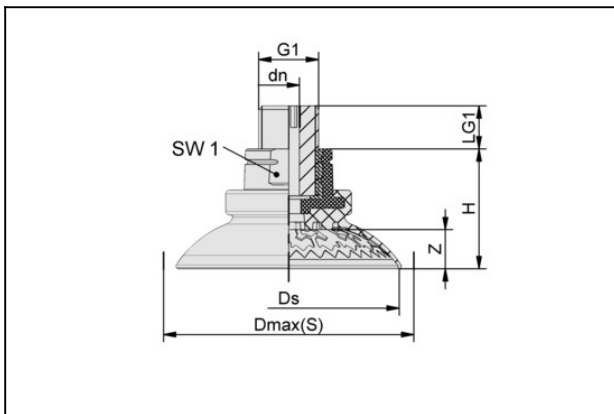
Bell-Shaped Suction Cups SAX > SAX 100 ED-85 G3/8-AG

Bell suction cup (round) for best adaptation to strongly curved surfaces



Size: 100
 Suction cup material: Elastodur
 Material hardness: 85 °Sh
 Vacuum connection: G3/8"-M
 Nipple material: Aluminium

Design Data



Attribute	Value
dn	6.1 mm
Dmax(S)	111.1 mm
Ds	100.1 mm
G1	G3/8"-M
H	39.7 mm
LG1	12 mm
SW1	22 mm
Z (Stroke)	17.3 mm

Technical Data

Contact to Schmalz

J. Schmalz GmbH | Johannes-Schmalz-Straße, 72293 Glatten, Deutschland | +49 7443 2403-102 | customercenter@schmalz.de

Bell suction cup (round)

SAX 100 ED-85 G3/8-AG

Part no.:10.01.19.00200

<https://www.schmalz.com/10.01.19.00200>



Attribute	Value
Suction force (-600mbar)	412 N
Lateral force	284 N
Lateral force (oily surface)	414 N
Volume	96 cm ³
Curve radius (min) (convex)	40 mm
Size	100
Connection	G3/8"-M
Number of folds	0
Suction cup material	Elastodur
Material hardness [Shore A]	85 Shore A
Weight	56.5 g
Product family	SAX
