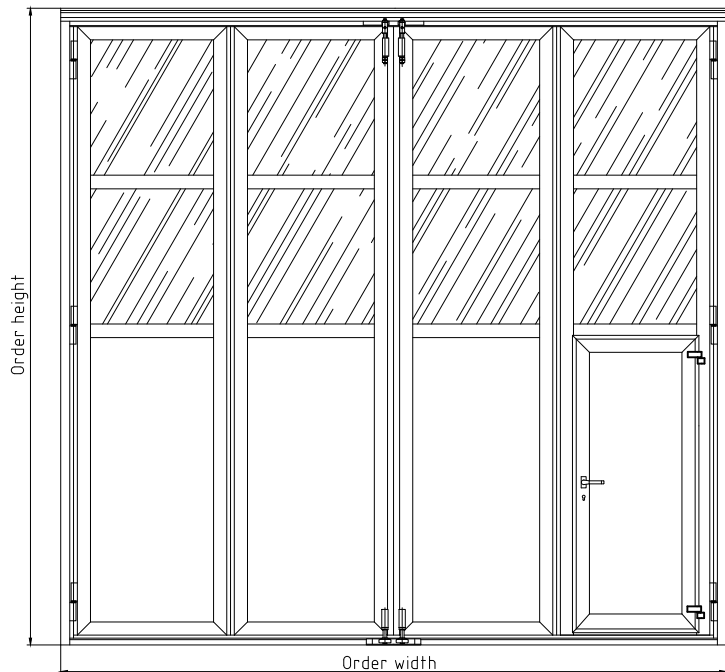
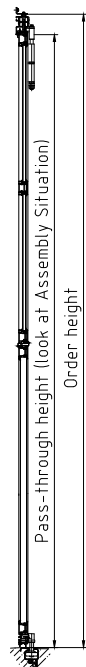


External View (Scale 1:50)

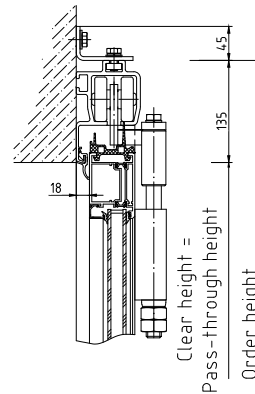


Vertical Cut (Scale 1:50)

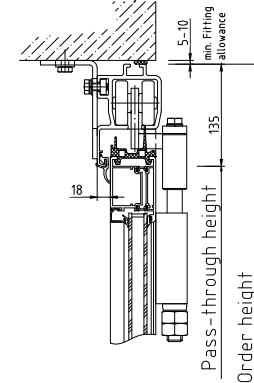


Assembly Situation on the Ledge (Scale 1:10)

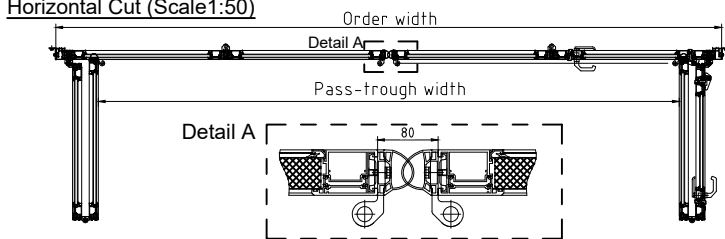
a) In front of or behind the reveal IR/BR



b) In the reveal IR

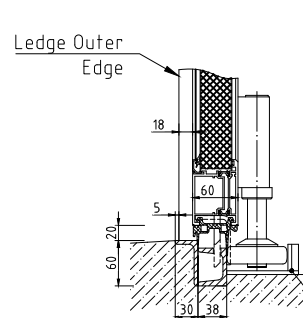


Horizontal Cut (Scale 1:50)

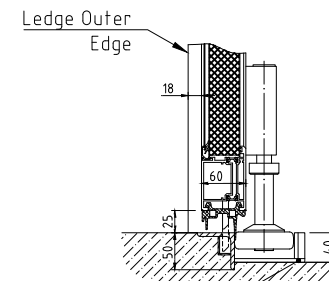


Bottom Details (Scale 1:10)

a) Threshold 60

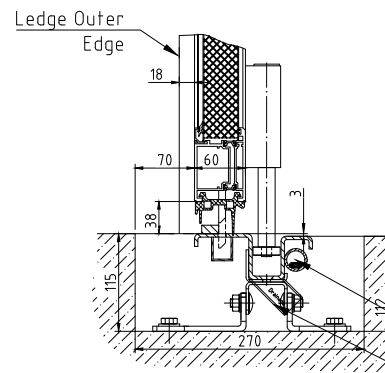


b) Threshold 50

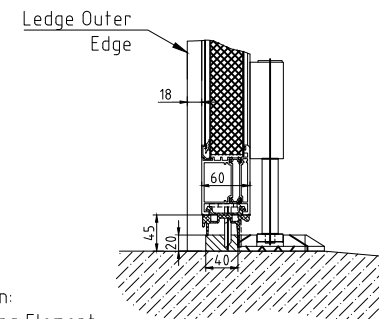


Local Guide Shoe

c) Floorguide



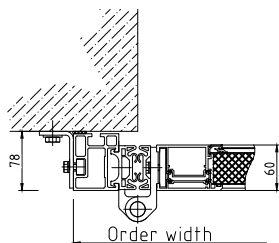
d) Threshold 20



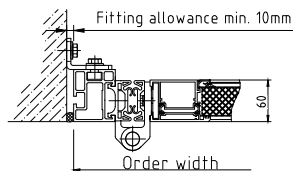
Option: Heating Element Drainage

Assembly Situation (Scale 1:10)

a) In front of or behind the reveal IR/BR



b) In the reveal IR



Architectural Sheet  
AL603F