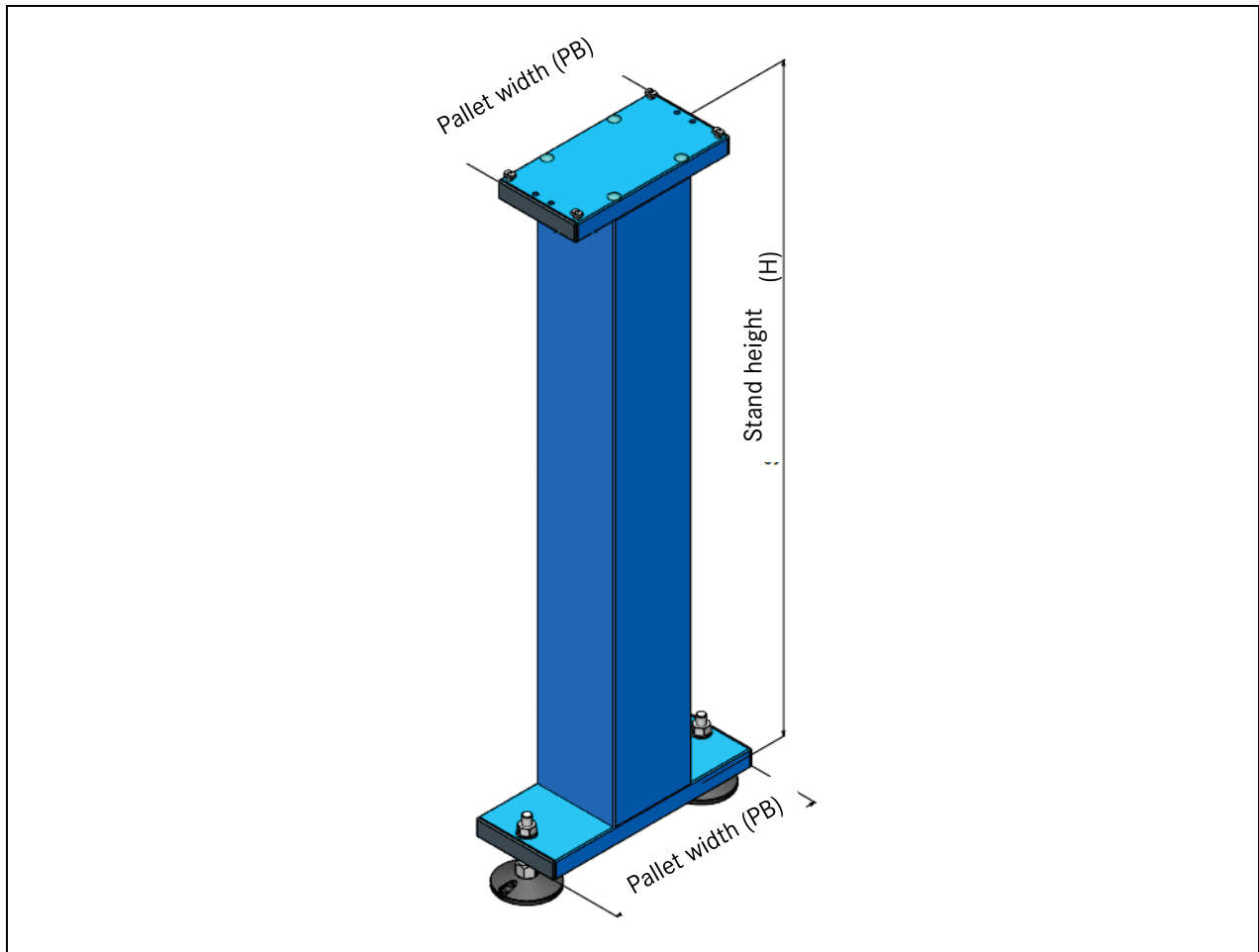


Stand ST0 (300003001)

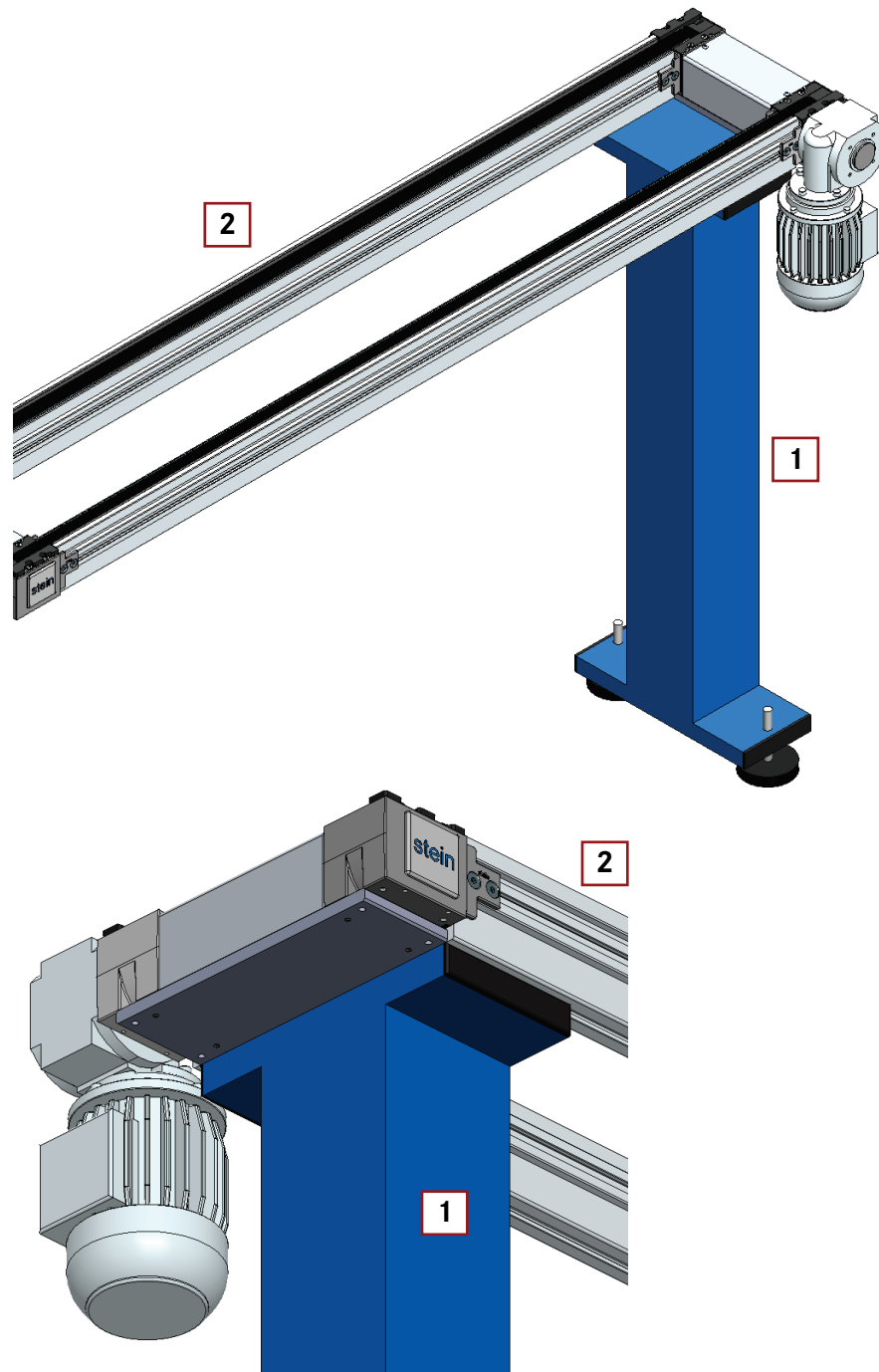


The stand is used to support the belt elements.

Maximum adjustment range	+/-13 mm
Stand installation	The stand must be installed at least 80 mm from the start/end of the belt element.

Example of use

- 1 Stand ST0
- 2 Belt element



Mounting: Stand

- 1 Belt element-profile with groove
- 2 Stand ST0

