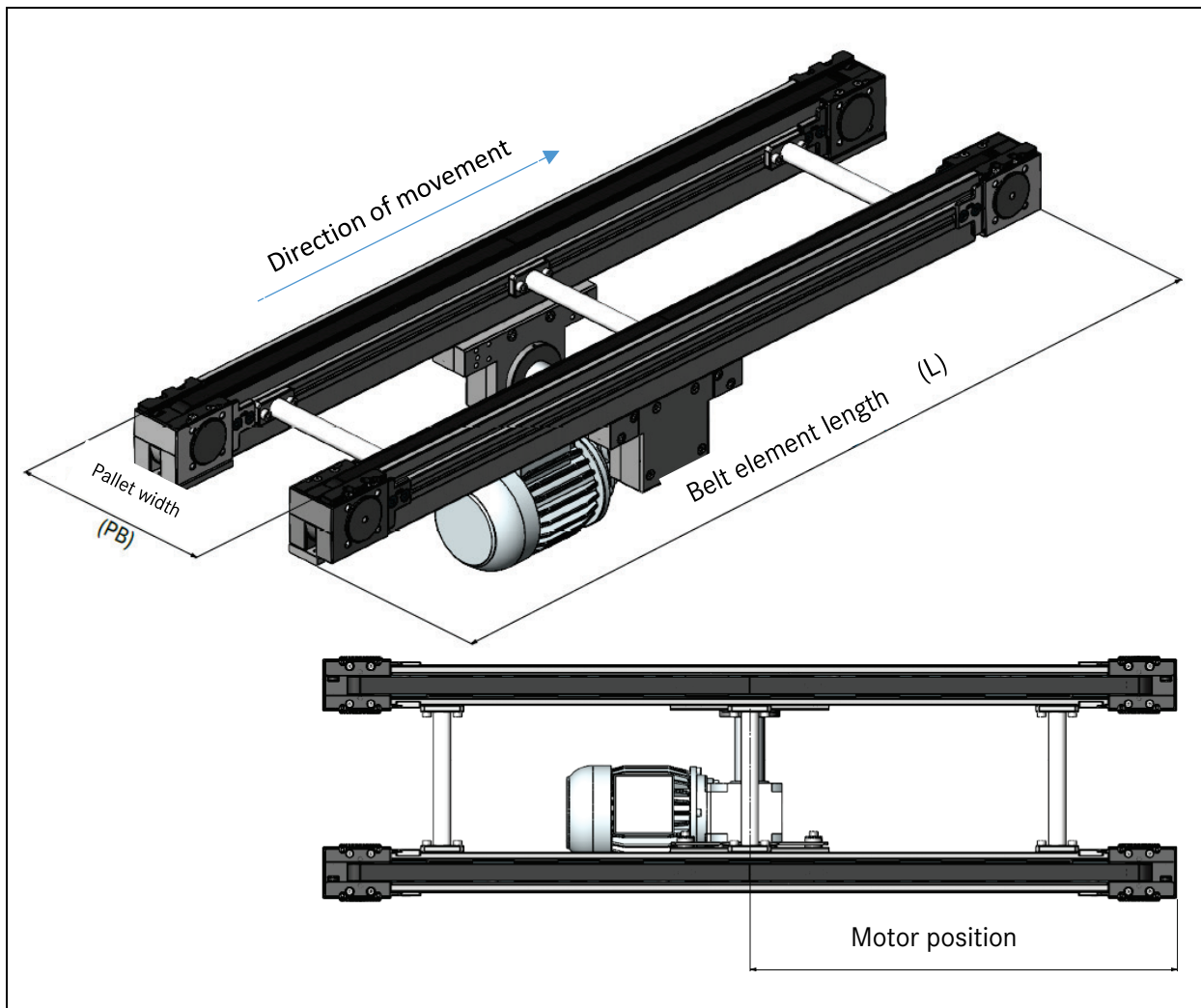


Belt element with middle drive (915000001)

Drive set BE with middle drive AC (300972001)



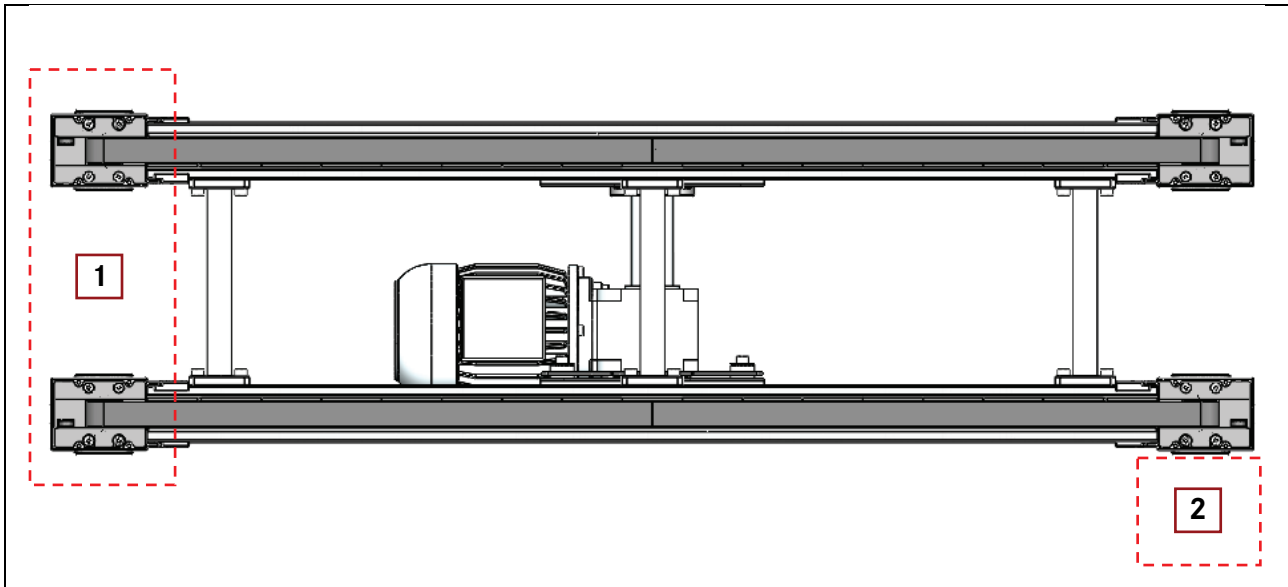
This belt element transports the workpiece carrier in longitudinal direction. The belt support consists of rollers. The belt is driven by an AC geared motor with a clamping board.

3 longitudinal grooves per belt element side offer the possibility of attaching various stoppers, stops, switches from the STEIN portfolio. The grooves can, of course, also be used for fastening other assemblies. However, please note that larger torques and loads on the profile should be fastened separately.

The motor position is indicated from the beginning of the hinge element.

Max. Permissible loads	80kg
------------------------	------

Example of use



- 1 If no drive is desired at the beginning or end of the belt (intervention option)
- 2 If the motor would form an interfering contour on the outside.