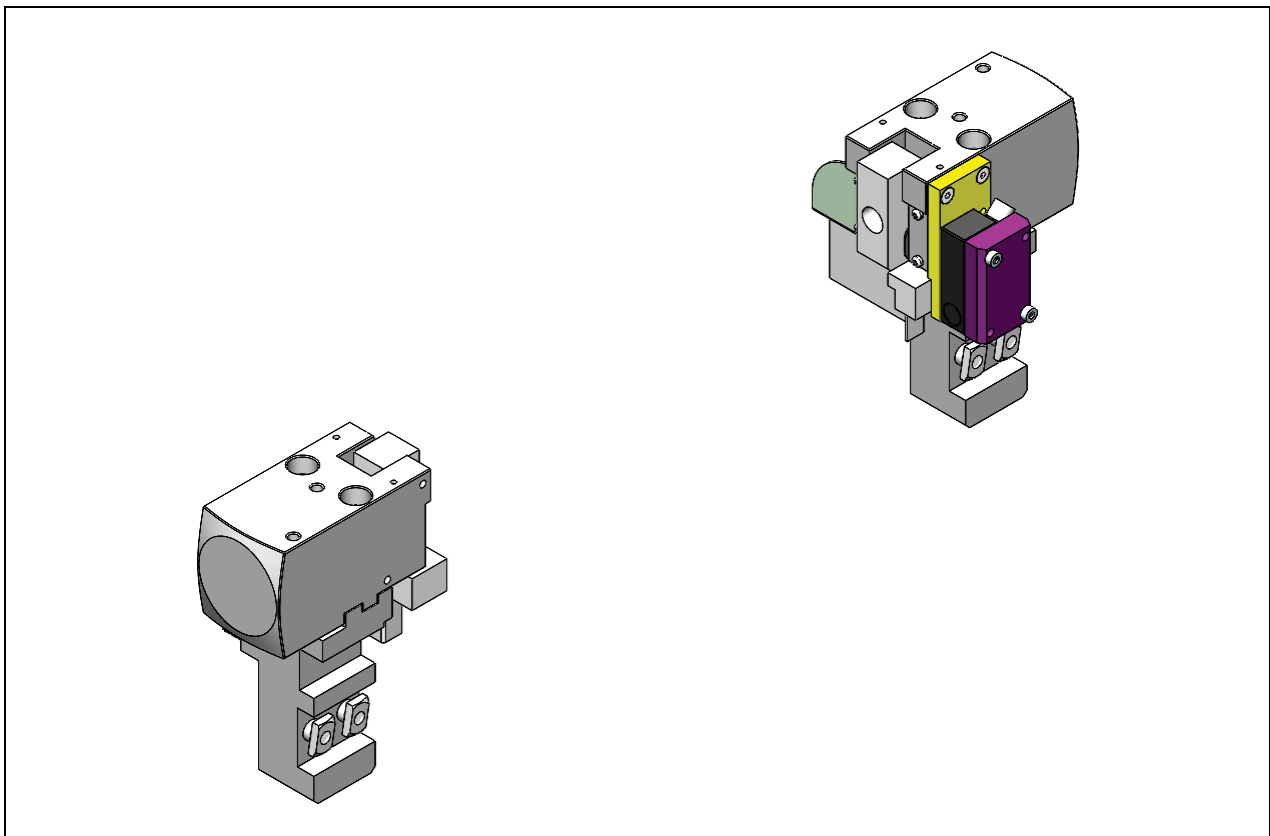


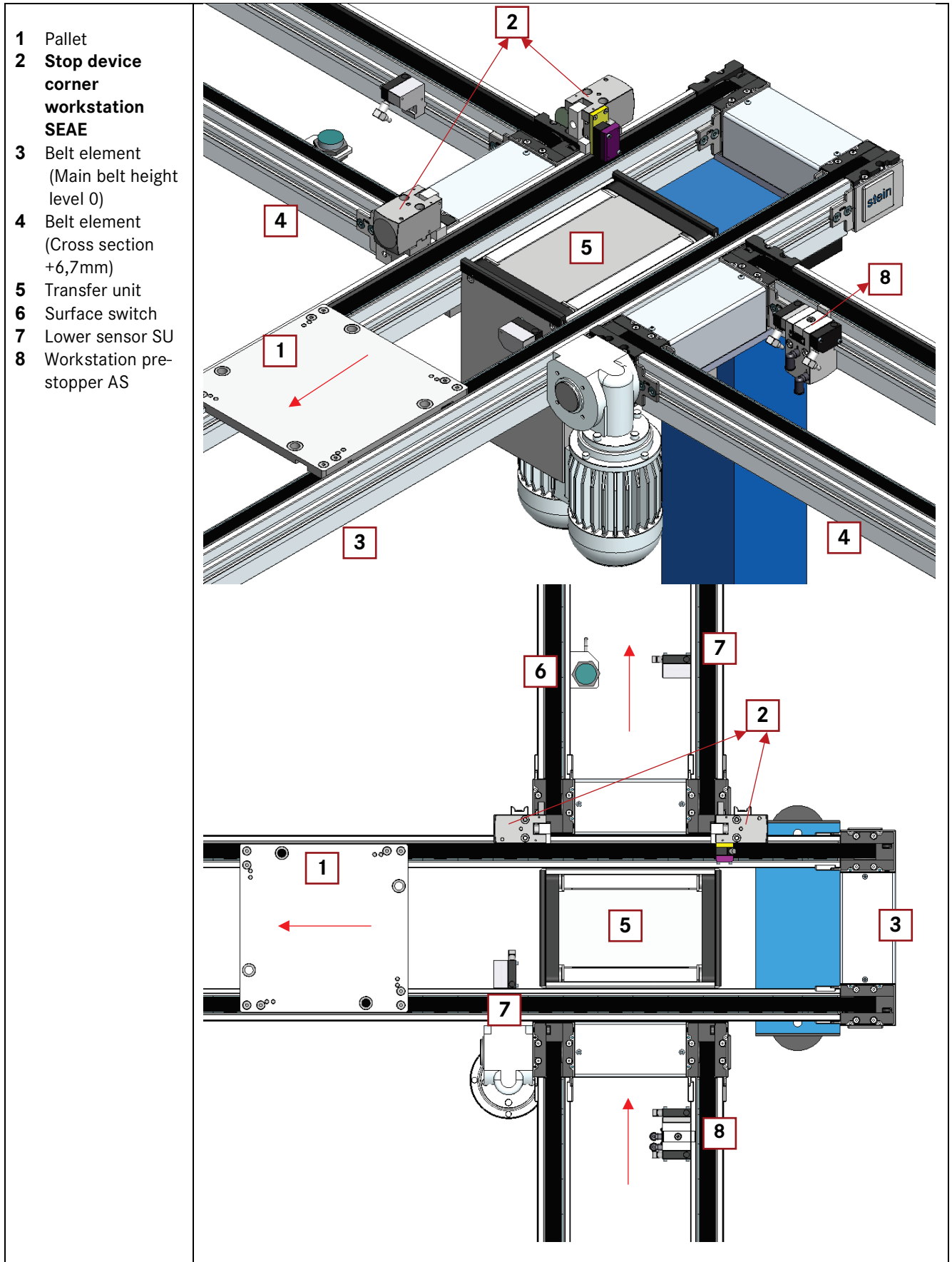
## Stop device corner workstation SEAE (300055001)



The SEAE, also known as a cross-band stop, is used when a workpiece carrier has to turn in a crossing situation.

Maximum stowage load	25kg
Cylinder diameter	32mm
Operating pressure	4bar
Stroke	7mm

## Example of use



## Mounting: Stop device corner workstation SEAE

- 1 Belt element-profile with groove
- 2 Stop device corner workstation SEAE

