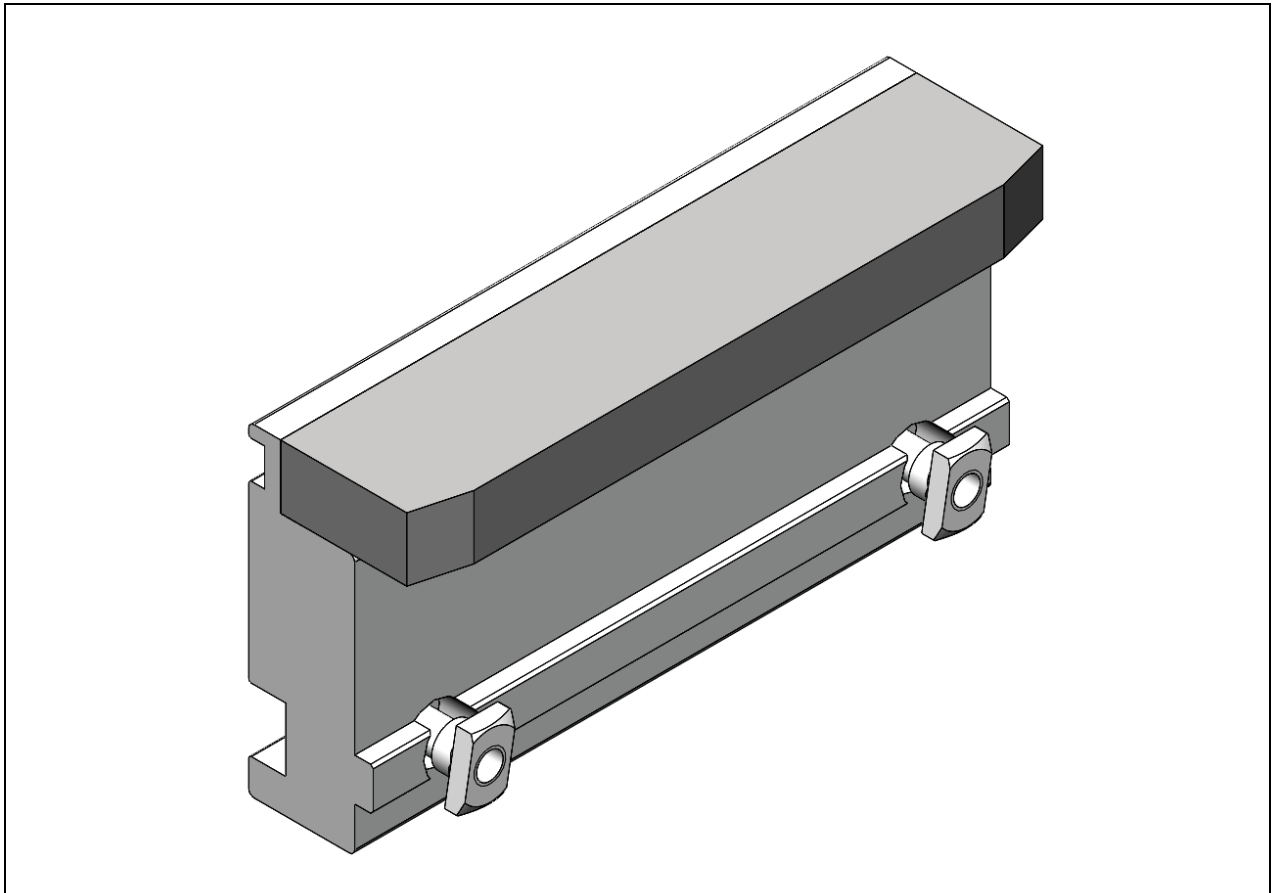


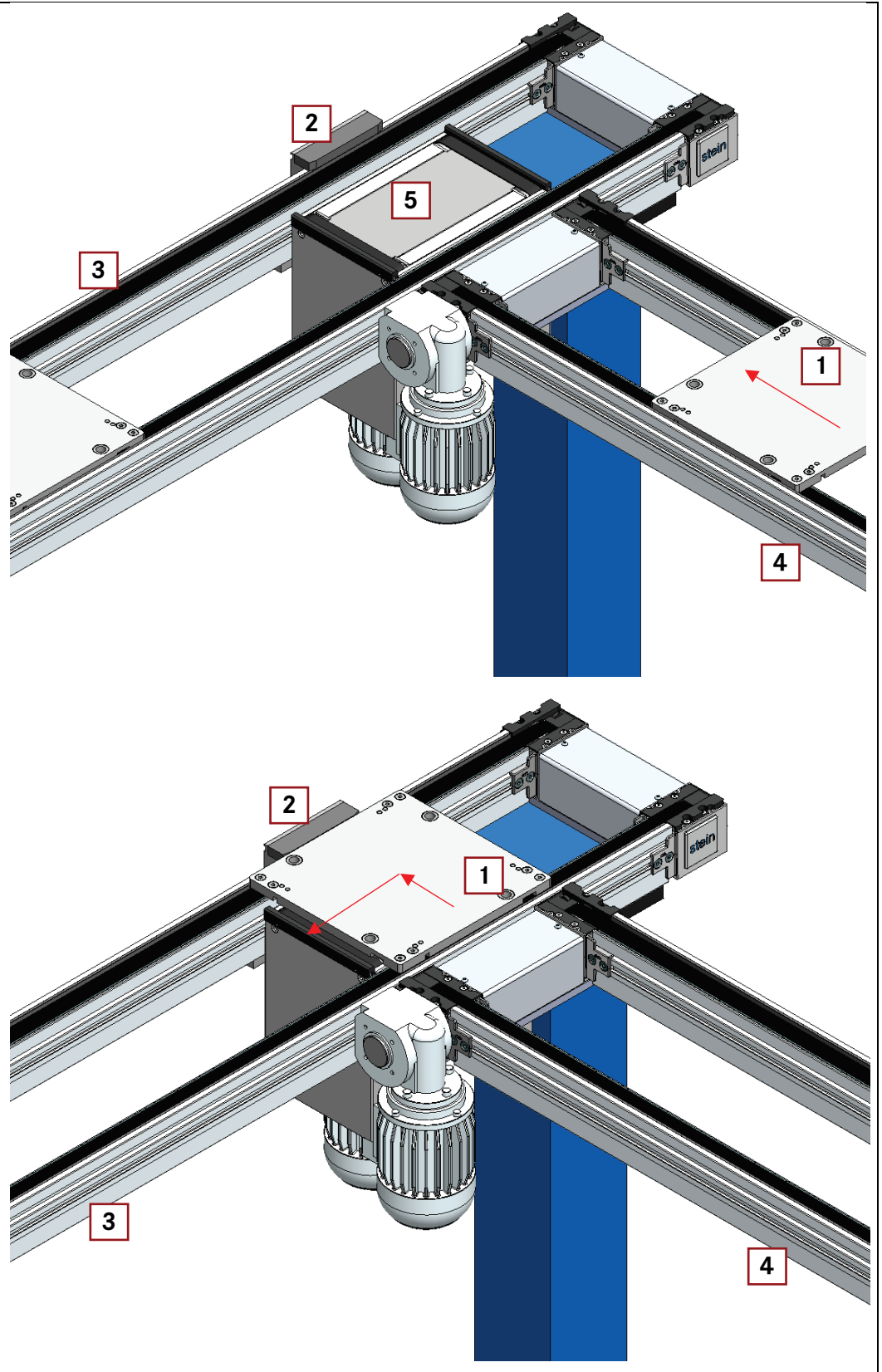
Outside stop (3000 1500 1)



The outside stop (AA) is used in various corner situations for positioning the workpiece carriers. It is mounted on the outside of the hinge profile. With this assembly, different implementations can be realised.

Example of use

- 1 Pallet
- 2 **Outside stop AA**
- 3 Belt element
(Main belt height level 0)
- 4 Belt element
(Cross section +6,7mm)
- 5 Transfer unit



Mounting: Outside stop

- 1 Belt element-profile with groove
- 2 Outside stop AA

