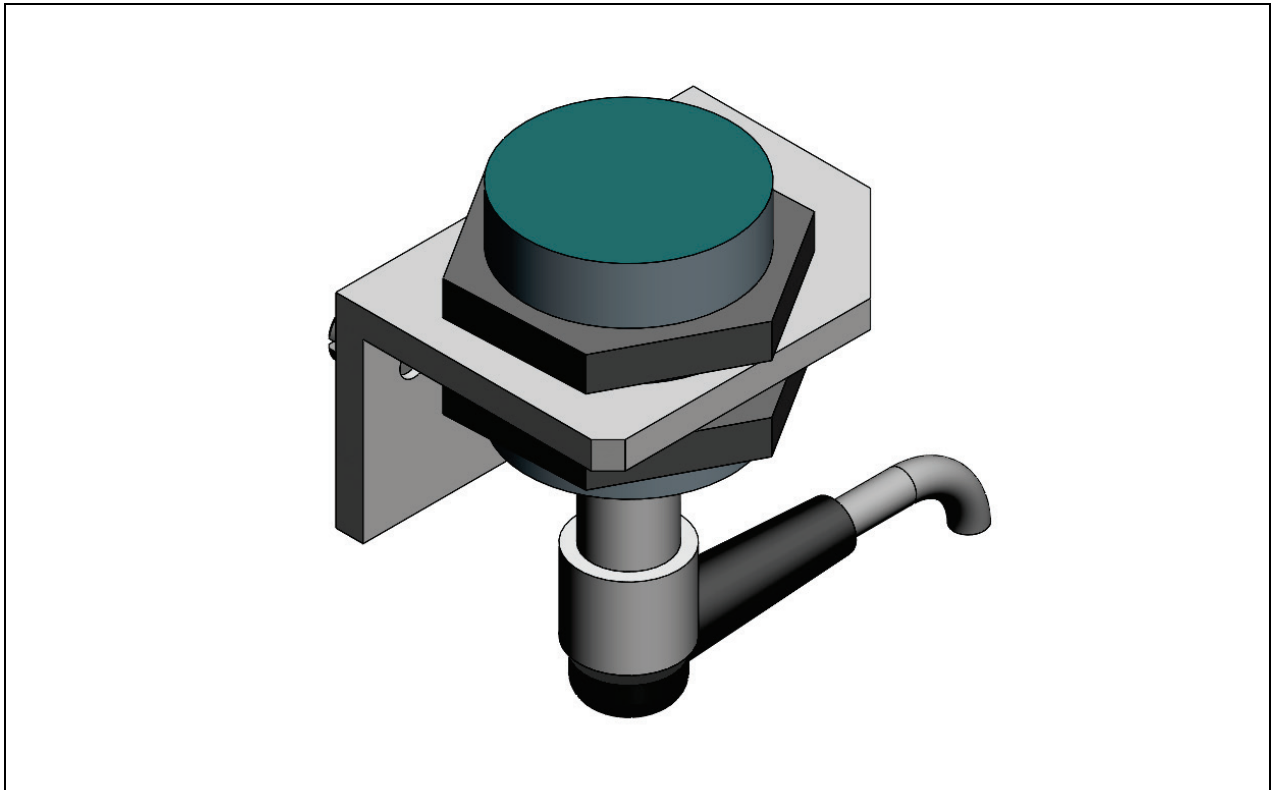


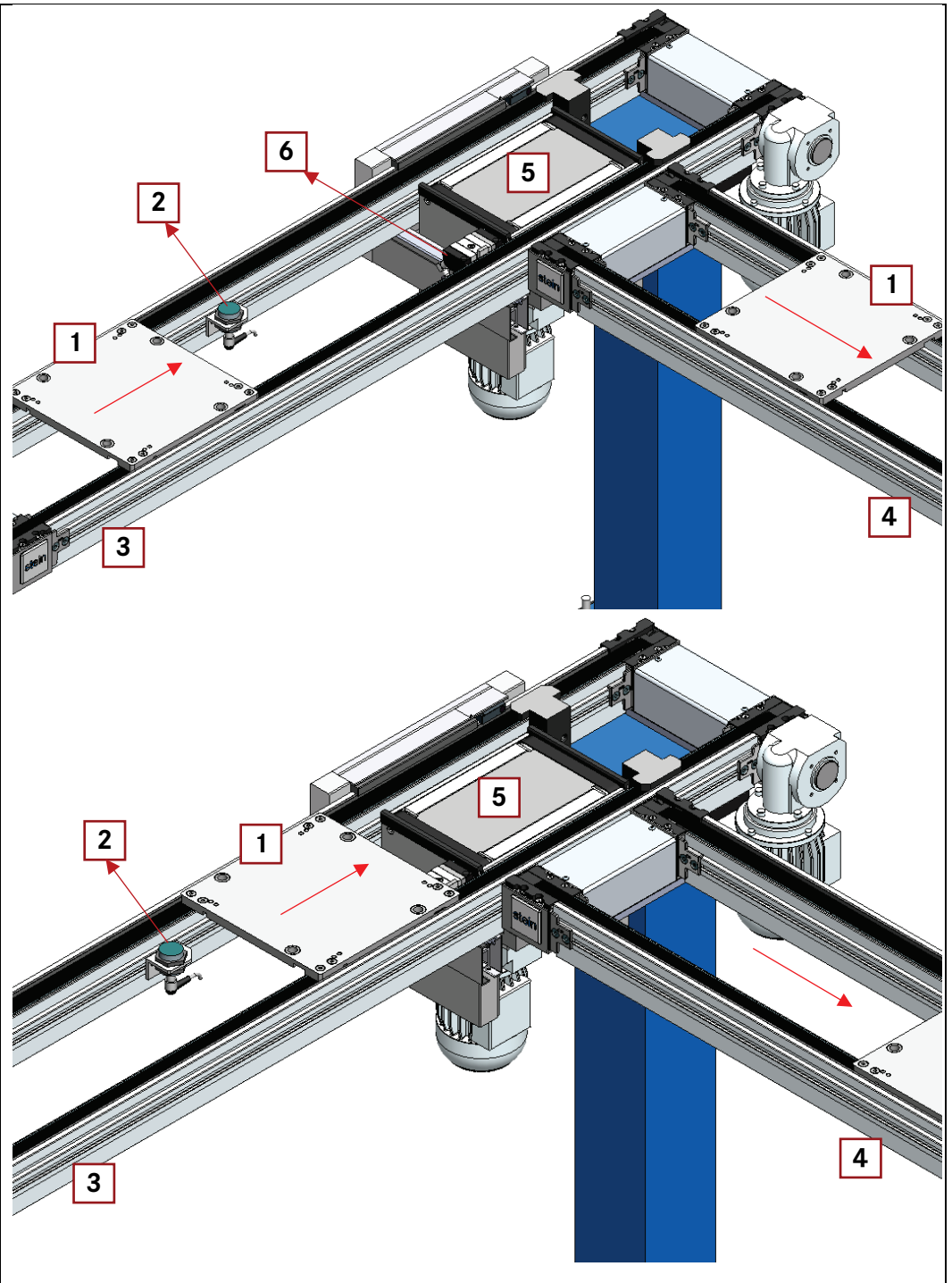
## Surface switch (300 137001)



This surface switch (FLS) detects a workpiece carrier during the entire traverse. Attention! Recesses and holes in the detection area can interrupt the signal.

## Example of use

- 1 Pallet
- 2 **Surface switch  
FLS**
- 3 Belt element  
(Main belt height  
level 0)
- 4 Belt element  
(Cross section  
+6,7mm)
- 5 Transfer unit
- 6 Stopper



## Mounting: Surface switch

- 1 Belt element-profile with groove
- 2 Surface switch FLS

