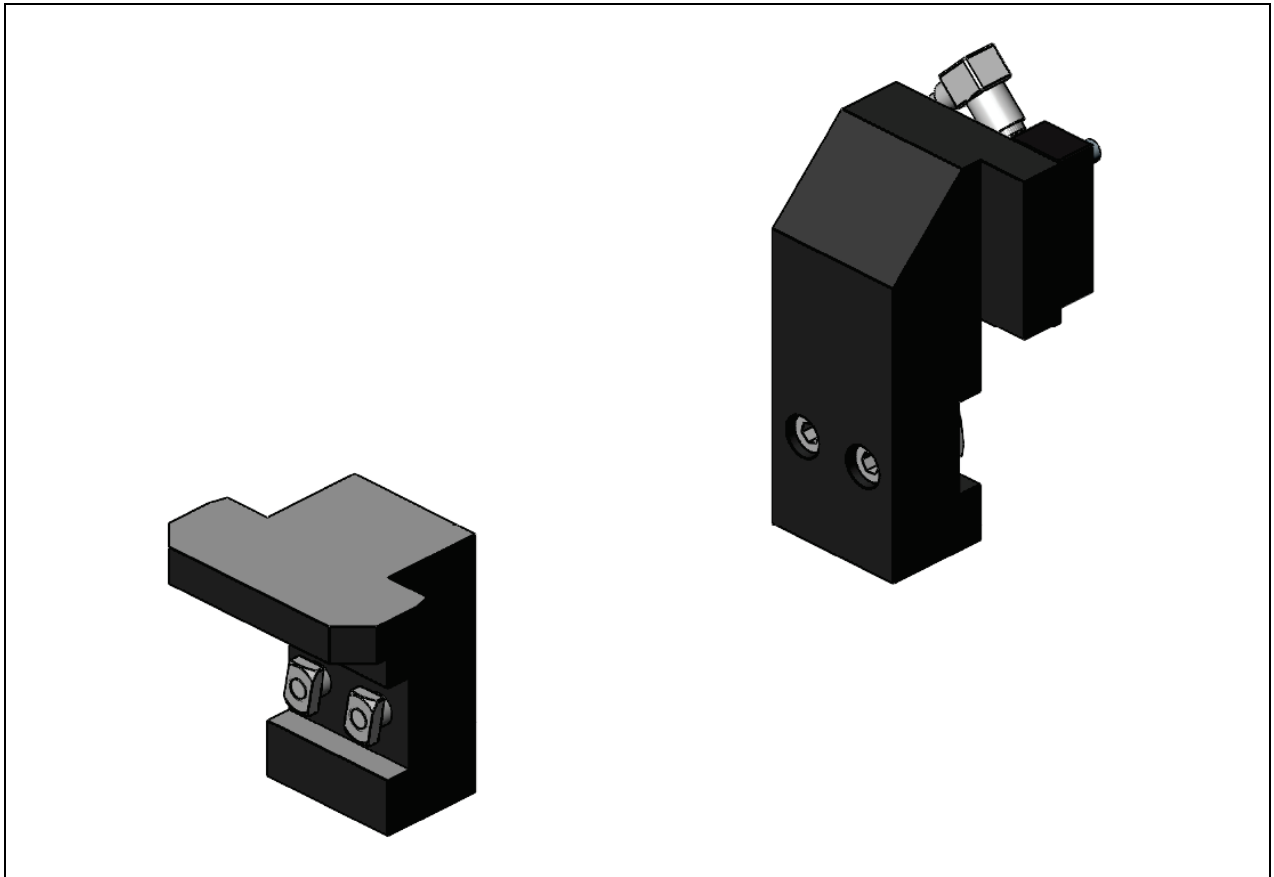


Corner workstation sensor SEA (300056001)

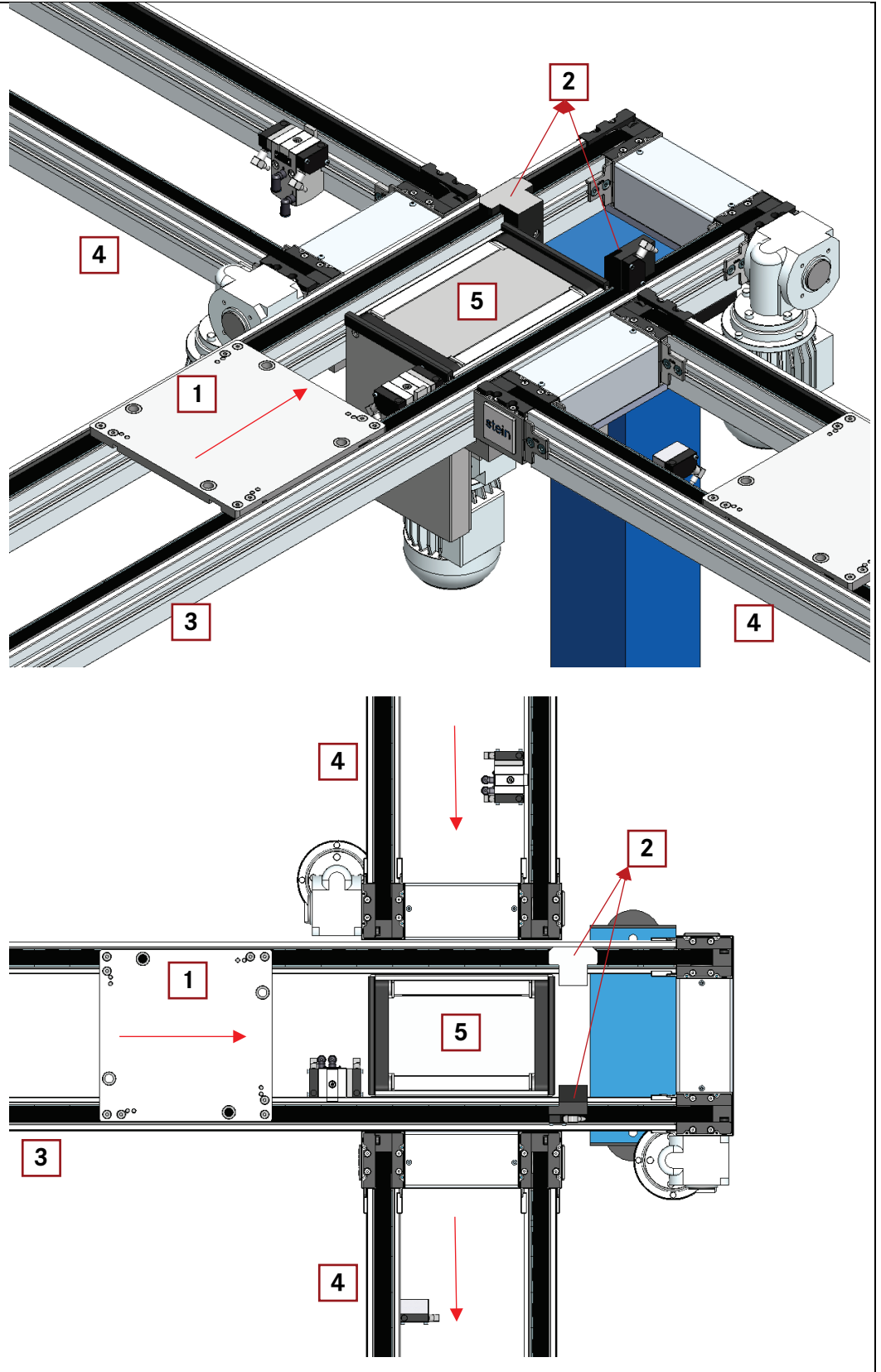


This assembly fulfils two functions.

Stop of the workpiece carrier in the direction of travel at a corner position. As well as the detection of the workpiece carrier by an inductive proximity switch.

Example of use

- 1 Pallet
- 2 **Corner workstation sensor SEA**
- 3 Belt element (Main belt height level 0)
- 4 Belt element (Cross section +6,7mm)
- 5 Transfer unit



Mounting: Corner workstation sensor

- 1 Belt element
- 2 Corner workstation sensor SEA

