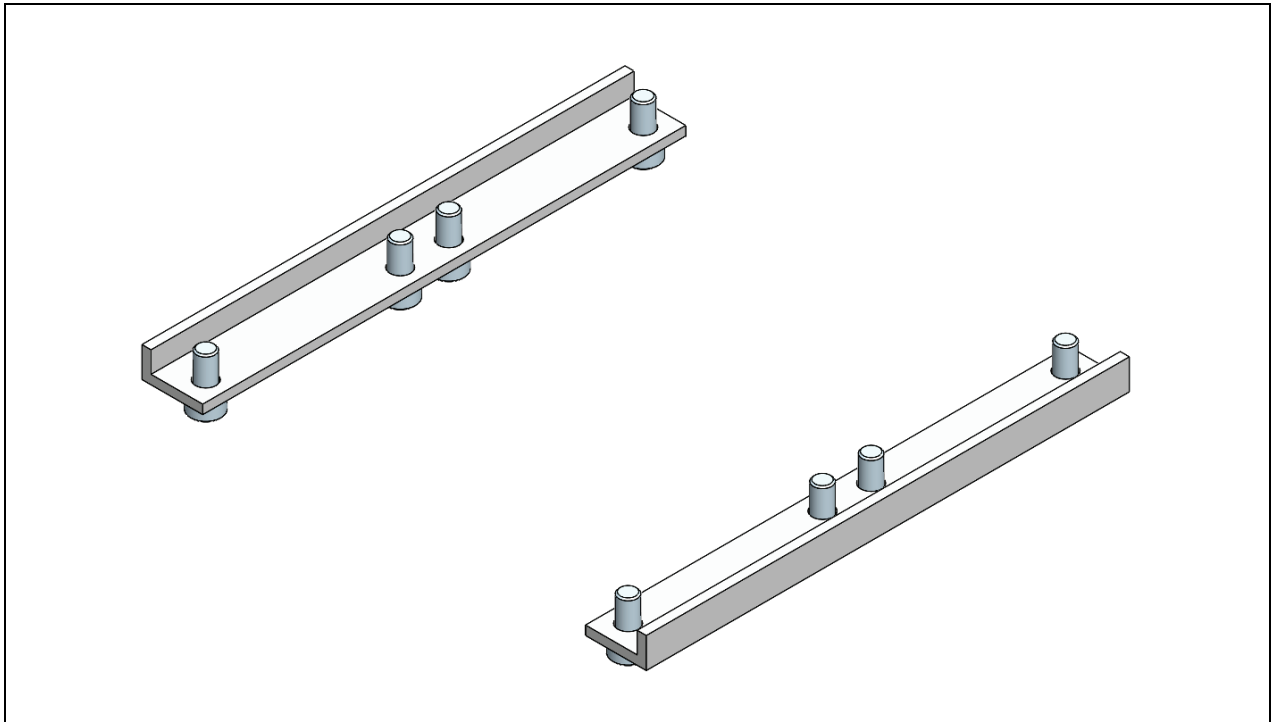


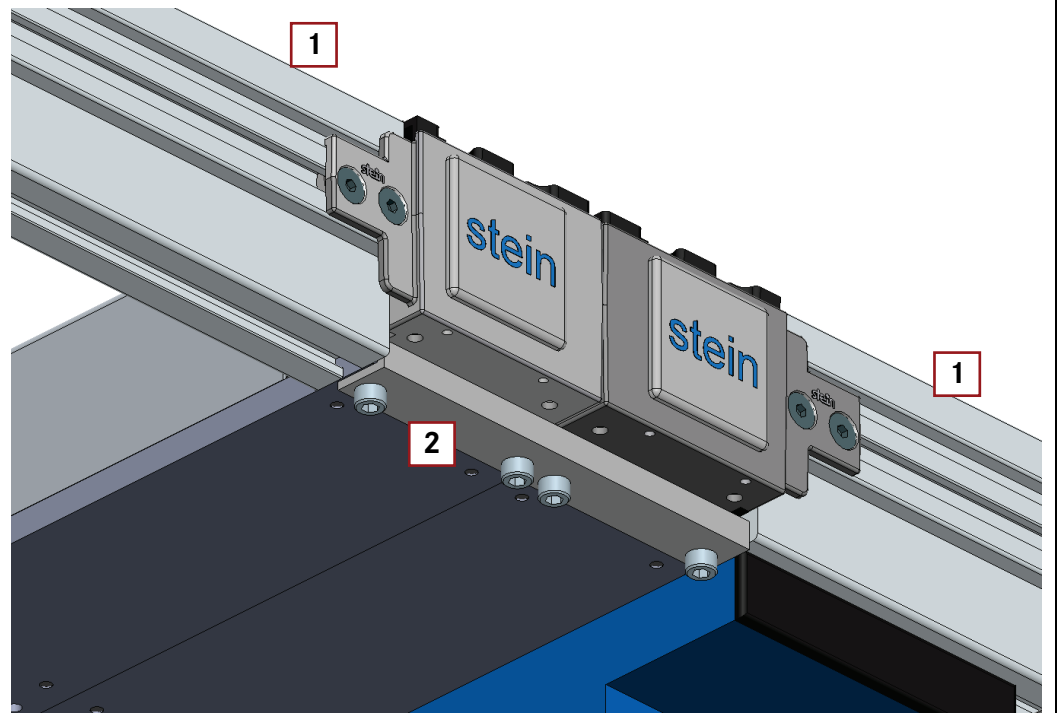
Connecting angle belt element (930428001)



The connecting angle connects the belt elements to each other. A connecting angle is screwed to the left and right of the hinge cheek.

Example of use

- 1 Belt element
- 2 Connecting angle



Mounting: Connecting angle

- 1 Belt element
- 2 Connecting angle

