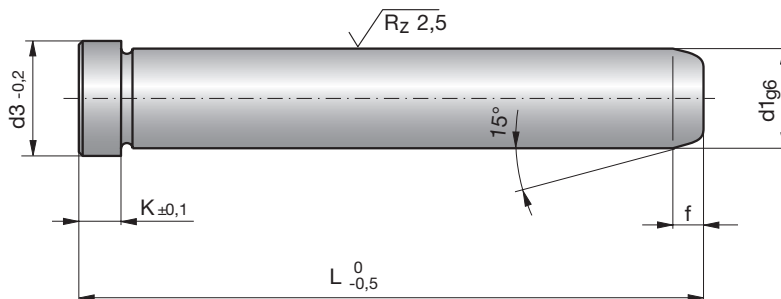


### Führungssäulen

### Guide pillars

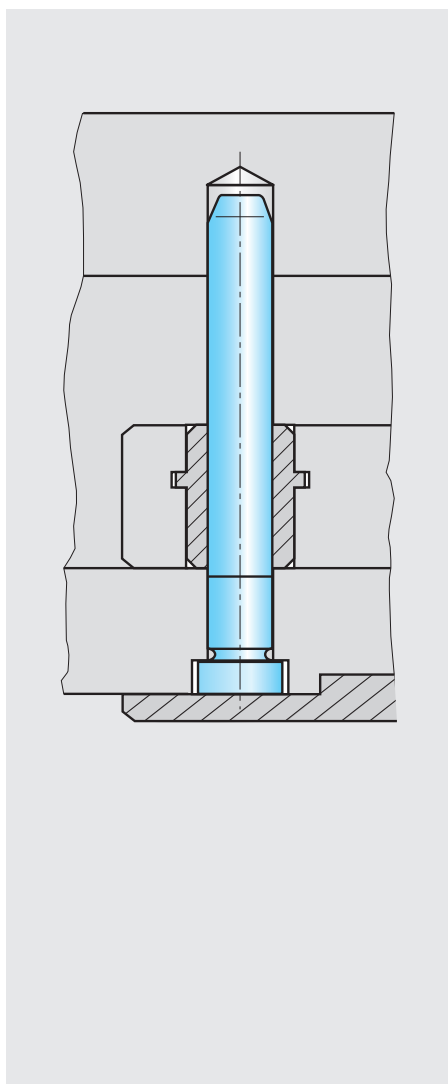
### Colonnes de guidage



Z65-

Mat.: 1.7131  
58+4HRC

Z65-d1-L



d1	L	d3	K	f	d1	L	d3	K	f	
10	60	12	6	3,5	20	80	24	8	5,0	
	80	12	6	3,5		100	24	8	5,0	
	90	12	6	3,5		120	24	8	5,0	
12	60	16	6	3,5		140	24	8	5,0	
	80	16	6	3,5		160	24	8	5,0	
	90	16	6	3,5		180	24	8	5,0	
	100	16	6	3,5		200	24	8	5,0	
14	120	16	6	3,5		220	24	8	5,0	
	140	16	6	3,5		24	100	28	15	5,0
	60	18	8	4,0			120	28	15	5,0
	80	18	8	4,0	140		28	15	5,0	
	100	18	8	4,0	160		28	15	5,0	
	120	18	8	4,0	180		28	15	5,0	
140	18	8	4,0	200	28		15	5,0		
16	160	18	8	4,0	220	28	15	5,0		
	180	18	8	4,0	240	28	15	5,0		
	60	20	8	4,0	280	28	15	5,0		
	80	20	8	4,0	28	100	32	15	5,0	
	100	20	8	4,0		120	32	15	5,0	
	120	20	8	4,0		140	32	15	5,0	
140	20	8	4,0	160		32	15	5,0		
160	20	8	4,0	180		32	15	5,0		
180	20	8	4,0	200		32	15	5,0		
18	60	22	8	4,0	220	32	15	5,0		
	80	22	8	4,0	240	32	15	5,0		
	100	22	8	4,0	280	32	15	5,0		
	120	22	8	4,0	32	160	36	15	6,0	
	140	22	8	4,0		200	36	15	6,0	
	160	22	8	4,0		250	36	15	6,0	
180	22	8	4,0	300		36	15	6,0		