
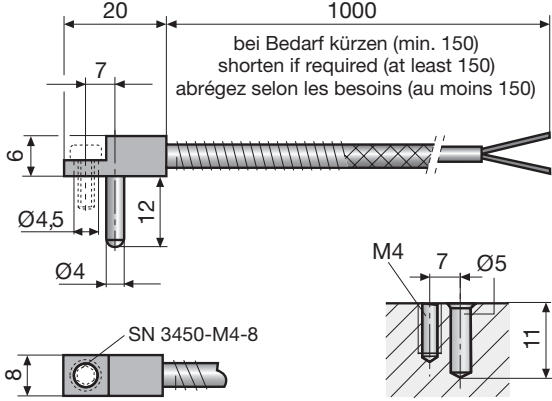


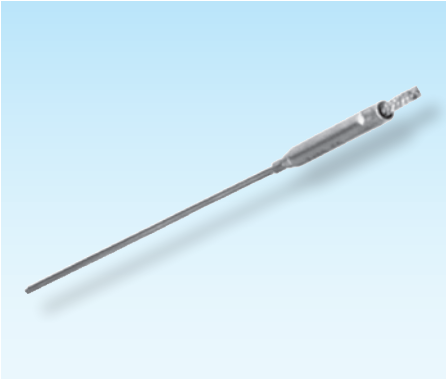
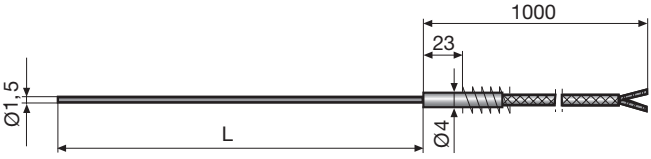



Thermofühler	Thermocouple	Thermocouple
		<p>schwarz/black/noir = + weiß/white/blanc = -</p>
<p><b>Z7024</b></p> <p>Mat.: Fe-CuNi Typ J max. 400 °C</p>		
 Z7024		

Thermofühler	Thermocouple	Thermocouple					
		<p>schwarz/black/noir = + weiß/white/blanc = -</p>					
<p><b>Z7025-</b></p> <p>Mat.: Fe-CuNi Typ J max. 400 °C</p>	<table border="1"> <thead> <tr> <th>L</th> </tr> </thead> <tbody> <tr> <td>100</td> </tr> <tr> <td>150</td> </tr> <tr> <td>200</td> </tr> <tr> <td>300</td> </tr> </tbody> </table>	L	100	150	200	300	
L							
100							
150							
200							
300							
 Z7025-L	