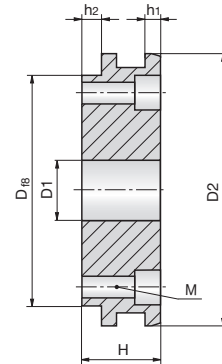
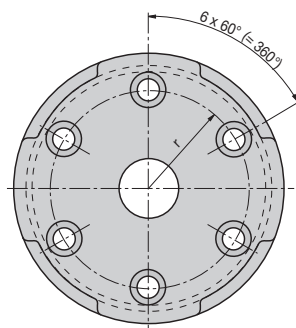


Zentrierflansche

Centering adaptors

Rondelles de centrage



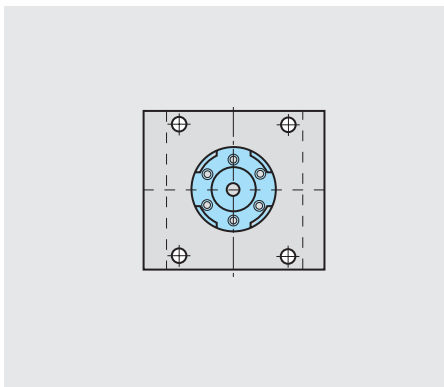
2

Z8073-

Mat.: ST



Z8073-D2-h2



D2	h2	h1	H	D1	D	r	M
60	3,5	6	21,5	25	50	19	M6
100	3,5	6	26,5	25	90	38	M8
100	9,0	6	32,0	25	90	38	M8
100	11,0	6	34,0	25	90	38	M8
110	3,5	6	26,5	25	90	40	M8
110	9,0	6	32,0	25	90	40	M8
110	11,0	6	34,0	25	90	40	M8
125	3,5	8	28,5	25	90	40	M8
125	9,0	8	34,0	25	90	40	M8
125	11,0	8	36,0	25	90	40	M8
160	3,5	15	40,5	36	90	55	M10
160	9,0	15	46,0	36	90	55	M10
160	11,0	15	48,0	36	90	55	M10