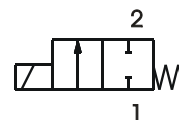


**2/2 way solenoid valve normally closed or normally open**

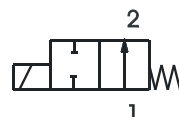
**type 15, brass body  
direct operated, DN 1,2 – 4,0 mm, G1/8**



normally closed NC



Normally open NO



SPECIFICATION	
<b>general</b>	
type of construction	2/2-poppet valve, normally closed NC or normally open NO, coil 360° rotatable
operator	solenoid, or optional by manual override
ports	G1/8
ambient temperature	-5°C to +50°C, higher allowed ambient temperatures on request
fluid temperature	dependent on sealing material and coil
viscosity	max. 37 mm <sup>2</sup> /s (cst) or 5° E
material	Body and tube: brass Inner parts : stainless steel sealing: see type selection
mounting	2 threads M4 or fixing holes diameter 3,2mm
installation	in any position, preferable vertical fixed solenoid coil
unit of supply	without connector
<b>electrical data</b>	
voltage	DC voltage or AC voltage
standard voltage	24V DC, 24V AC, 230V AC
special voltage on request	6V-200V DC, 12V-240V, 50Hz or 60Hz
acceptable voltage tolerance	+/- 10%
power consumption	see specifications at solenoid coils
coil type	temperature class F (155°C), winding class H (180°C)
duty cycle	100% ED (DB), continuous operation
protection class	IP65 according DIN EN 60529 (DIN 40050) with correctly mounted connector
<b>pneumatic – hydraulic</b>	
flow medium	all liquids and gases, which don't attack the used material
max. body housing pressure	PN 40 (bar)
response time	12 – 20ms
weight	see dimension drawing
special equipment on request	stainless steel AISI303 in place of brass, coil type with cable, bright nickel-plated or chemical nickel-plated, coil EExmIT5, coils for temperature class H (180°C), other sealing materials

E & OE: We reserve the right to change design, dimensions or materials without notice.

type 15A, normally closed										
type * (order-nr.)	NW DN (mm)	maximum differential pressure in bar **								kv-value (m³/h)
		coil C1DA		coil C2DA		coil C3AA		coil CXFA		
		~ (50Hz)	= (DC)	~ (50Hz)	= (DC)	~ (50Hz)	= (DC)	~ (50Hz)	= (DC)	
15A-1.12-AC...	1,2	30	20	30	25	30	30	30	16	0,045
15A-1.15-AC...	1,5	20	10	25	16	30	25	25	12	0,082
15A-1.20-AC...	2,0	10	2	16	8	25	15	12	3,5	0,133
15A-1.25-AC...	2,5	5	0,6	10	3,5	14	8	6	1	0,195
15A-1.30-AC...	3,0	3,5	-	6	1,5	9	3	4	0,5	0,250
15A-1.35-AC...	3,5									
15A-1.40-AC...	4,0	1	-	2	0,3	3,5	1,2	1	-	0,340

\* Type designation (order-nr.) must be completed with sealing material, coil and supply voltage. (see order code)

\*\* At DC voltage all pressure specifications apply to a fluid temperature up to 80 °C. At higher fluid temperatures, the maximum differential pressure will be reduced by 0,5% / °C. All specifications refer to fluids with a maximum viscosity of 37 cst. (5°E). Higher viscosities cause extended response time and need a special specification of the valve.

sealing material	Code	fluid temperature	applicable for	standard voltage	Code
NBR (Perbunan)	<b>B</b>	max. 80 °C	neutral gases and liquids	24V = DC	<b>02400</b>
EPDM	<b>E</b>	max. 130 °C	hot water, steam, not for oil and grease	24V ~ (50Hz)	<b>02450</b>
FPM	<b>V</b>	max. 130 °C	oil, petrol, oxygen	230V ~ (50Hz)	<b>23050</b>

coil power consumption at 20 °C, protection class, interface					
coil type	inrush power ~ (50Hz) VA	rated power ~ (50Hz) VA	power = (DC) (W)	protection class with/without connector	interface
C1DA	7,5	5	3,0	IP65 / IP00	Connector (DIN 43650) type B industrial standard
C2DA	12,5	9	6,5	IP65 / IP00	Connector (DIN 43650) type B industrial standard
C3AA	15	11	6,3	IP65 / IP00	Connector DIN EN 175301 – 803 (DIN 43650), type A
CXFA	5,1	5,1	5,0	IP65	Coil explosion proof according to ATEX II 2G Ex mb II T4 II 2D ExtDA21 IP65 T130°C cable length 3 meter

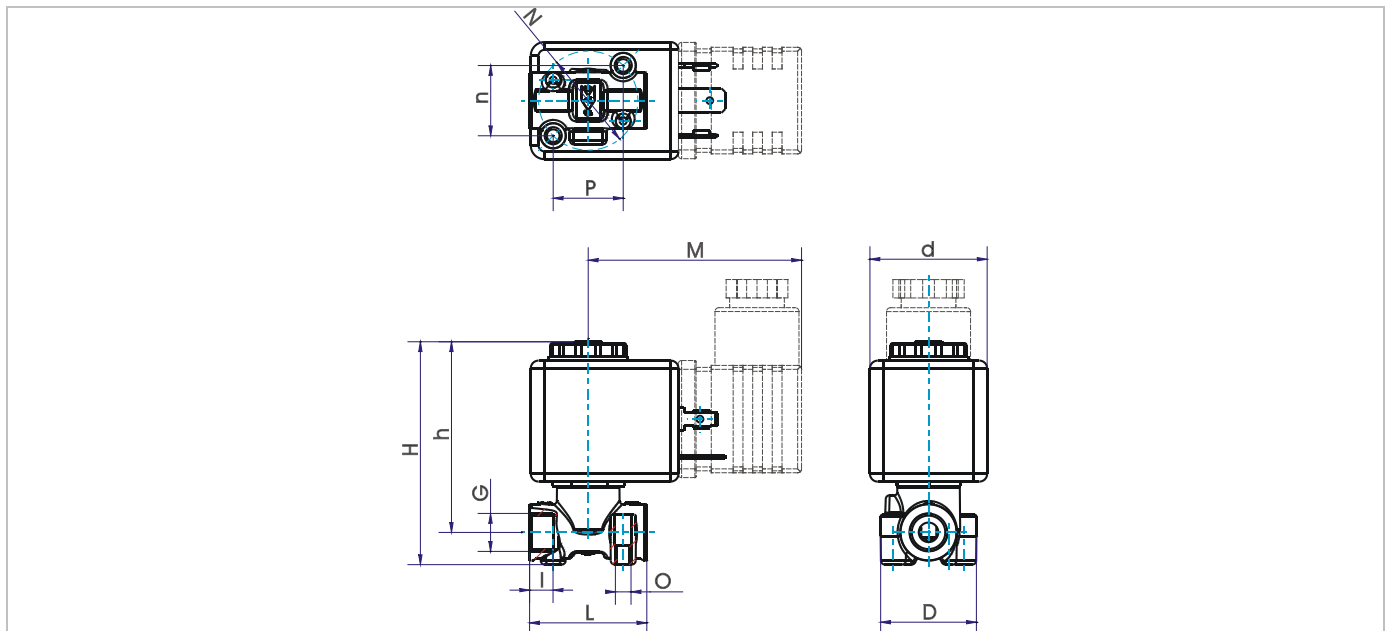
order code	15 B - 1 B 20 F Z - A C2DA 23050									
	type	function	ports	seal material	nominal size seat	throw off spring	stroke compensation spring	short circuit	coil type	supply voltage
type	type 15, body and tube brass									
function	A = normally closed, B = normally open									
ports	1 = G1/8									
seal material	B = NBR (Perbunan), E = EPDM, V = FPM									
nominal size seat	12 = 1,2 mm, 15 = 1,5 mm, 20 = 2,0 mm, 25 = 2,5mm, 30 = 3,0 mm, 35 = 3,5 mm, 40 = 4,0 mm									
throw off spring	F = only normally open									
stroke compensation spring	Z = only normally open									
short circuit ring	A = copper short circuit ring, X = without short circuit ring									
coil type	see specifications of the particular coil									
supply voltage	always 5-digit, see code of standard voltage									

type 15B, normally open											
type * (order-nr.)	NW DN (mm)	maximum differential pressure in bar **								kv-value (m³/h)	
		coil C1DA		coil C2DA		coil C3AA		coil CXFA			
		~ (50Hz)	= (DC)	~ (50Hz)	= (DC)	~ (50Hz)	= (DC)	~ (50Hz)	= (DC)		
15B-1.12BZ-AC1DA	1,2	11	11							0,045	
15B-1.15BZ-AC1DA	1,5	5	5							0,082	
15B-1.20BZ-AC1DA	2,0	3,5	3,5							0,133	
15B-1.25BZ-AC1DA	2,5	2,0	2,0							0,195	
15B-1.30DZ-AC1DA	3,0	2,5	-							0,250	
15B-1.35DZ-AC1DA	3,5										
15B-1.40DZ-AC1DA	4,0	1,8	-							0,340	
15B-1.12FZ-AC2DA	1,2			16	16					0,045	
15B-1.15FZ-AC2DA	1,5			10	10					0,082	
15B-1.20FZ-AC2DA	2,0			5,5	5,5					0,133	
15B-1.25FZ-AC2DA	2,5			3,5	3,5					0,195	
15B-1.30FZ-AC2DA	3,0			4,0	-					0,250	
15B-1.35FZ-AC2DA	3,5										
15B-1.40FZ-AC2DA	4,0			2,5	-					0,340	
15B-1.12GZ-AC3AA	1,2					22	22			0,045	
15B-1.15GZ-AC3AA	1,5					13	13			0,082	
15B-1.20GZ-AC3AA	2,0					8	8			0,133	
15B-1.25GZ-AC3AA	2,5					5	5			0,195	
15B-1.30GZ-AC3AA	3,0					5	-			0,250	
15B-1.35GZ-AC3AA	3,5										
15B-1.40GZ-AC3AA	4,0					3	-			0,340	
15B-1.12BZ-ACXFA	1,2								11	11	0,045
15B-1.15BZ-ACXFA	1,5								5	5	0,082
15B-1.20BZ-ACXFA	2,0								3,5	3,5	0,133
15B-1.25BZ-ACXFA	2,5								2,0	2,0	0,195
15B-1.30DZ-ACXFA	3,0								2,5	-	0,250
15B-1.35DZ-ACXFA	3,5										
15B-1.40DZ-ACXFA	4,0								1,8	-	0,340

\* Type designation (order-nr.) must be completed with sealing material, coil and supply voltage.

\*\* All specifications refer to fluids with a maximum viscosity of 37 cst. (5°E).

Higher viscosities cause extended response time and need a special specification of the valve.



dimension table for type 15 in mm, weight approx. in g

with coil	G	d	D	type 15 A-		type 15 B-		I	L	M	N	n	O	P	weight (g)	
				h	H	h	H								15A-	15B-
C1DA	G 1/8	22	24.5	49	57	51	59	6	30	51	25.4	18	M4	18	110	110
C2DA		30													110	110
C3AA		30													165	165
CXFA		22													360	360