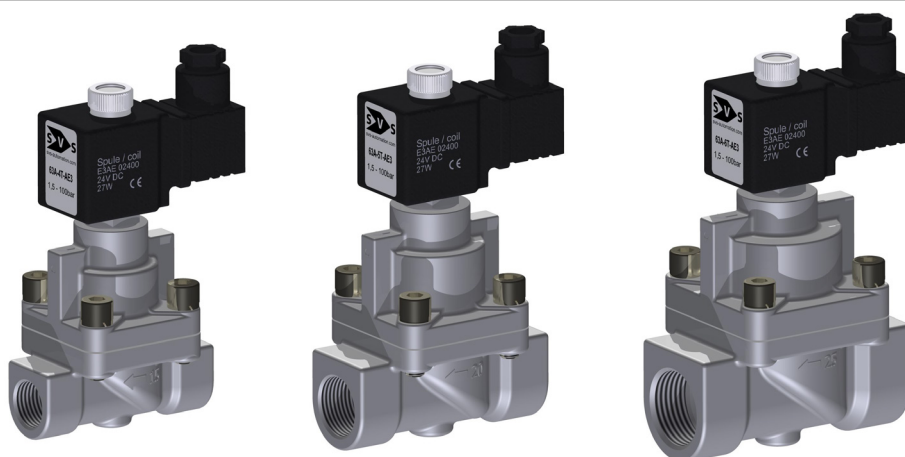
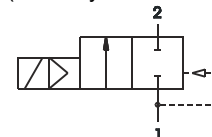


## 2/2 way solenoid valve normally closed or normally open

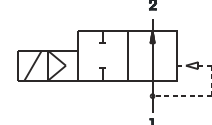
type 63, stainless steel body AISI 304, piston valve,  
pilot operated, DN 15-50mm, G1/2 – G2, max. 100bar



function A  
(normally closed NC)



function B  
(normally open NO)



SPECIFICATION	
<b>General</b>	
type of construction	2/2-poppet valve, with piston, normally closed NC or normally open NO, coil 360° rotatable
operator	solenoid
ports	G1/2 – G1, (G1 ¼ - G2 in preparation)
ambient temperature	-20 °C to +50 °C, higher allowed ambient temperatures on request
fluid temperature	-10 °C to +130°C
viscosity	max. 21mm <sup>2</sup> /s (cst) or 3°E
material	body and inner parts stainless steel AISI 304, sealing PTFE
mounting	installation into fixed piping system
installation	in any position, preferable vertical fixed solenoid coil
unit of supply	without connector
<b>electrical data</b>	
voltage	DC voltage or AC voltage
standard voltage	24V DC, 24V AC, 230V AC
special voltage on request	6V-207V DC, 12V-240V, 50Hz or 60Hz
acceptable voltage tolerance	+/- 10%
power consumption	see specifications at solenoid coils
coil type	coil E1 class F (155°C) winding class H (180°C), coil E3 class H (180°C)
duty cycle	100% ED (DB), continuous operation
protection class	IP65 according DIN EN 60529 (DIN 40050) with correctly mounted connector
<b>pneumatic – hydraulic</b>	
fluid	all liquids and gases, which don't attack the used material
max. body housing pressure	G1/2 to G1 PN 100 (bar), above PN 80 (bar)
response time	depending on operating pressure and fluid
special equipment on request	coil with other connection type, coil explosion proof according to ATEX, FDA approved, KTW approval for drinking water

E & OE: We reserve the right to change design, dimensions or materials without notice.

type 63A, normally closed					
type * (order-nr.)	NW DN (mm)	ports	maximum differential pressure in bar		kv-value (m³/h)
			coil <b>E1AA</b>	coil <b>E3AE</b>	
			~ (50Hz) = (DC)	~ (50Hz) = (DC)	
63A – 4T – AE...	15	G1/2	2-40	2-100	3,6
63A – 5T – AE...	20	G3/4			5,5
63A – 6T – AE...	25	G1			8,5
63A – 7T – AE...	32	G1 ¼ **	2-40	2-80	15
63A – 8T – AE...	40	G1 ½ **			19,5
63A – 9T – AE...	50	G2 **			33

type 63B, normally open					
type * (order.-nr.)	NW DN (mm)	ports	maximum differential pressure in bar		kv-value (m³/h)
			coil <b>E1AA</b>	coil <b>E3AE</b>	
			~ (50Hz) = (DC)	~ (50Hz) = (DC)	
63B – 4T – AE...	15	G1/2	-	2-65	3,6
63B – 5T – AE...	20	G3/4			5,5
63B – 6T – AE...	25	G1			8,5
63B – 7T – AE...	32	G1 ¼ **	-	-	15
63B – 8T – AE...	40	G1 ½ **			19,5
63B – 9T – AE...	50	G2 **			33

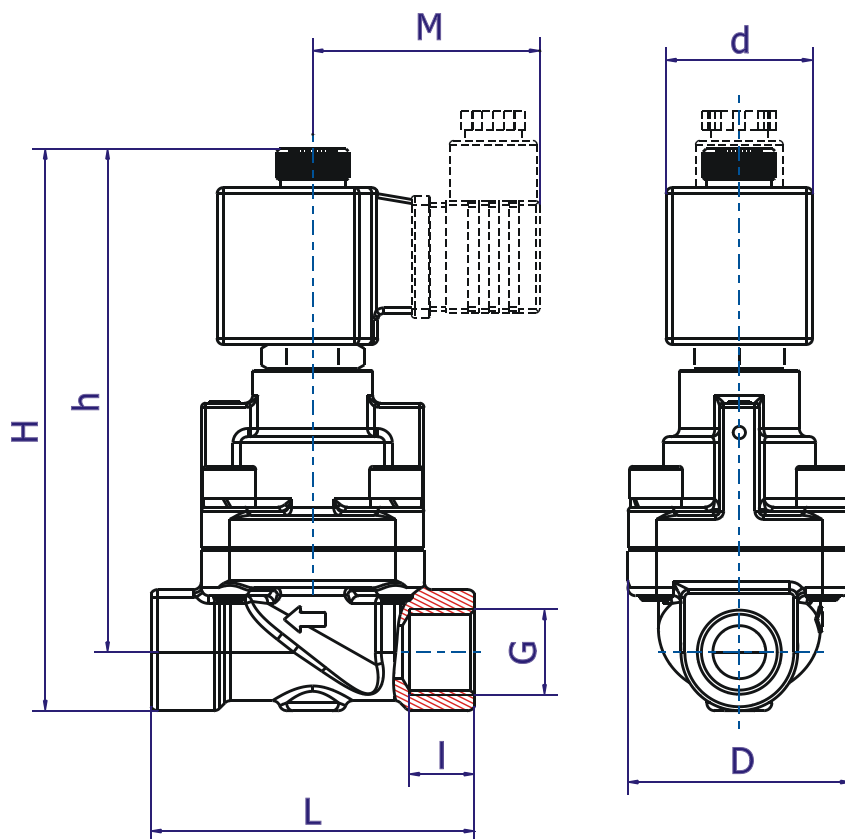
\* Type designation (order-nr.) must be completed with coil and supply voltage.

\*\* ports G1 ¼ to G2 available only from 2016

standard voltage	code	special voltage
24V = DC	<b>02400</b>	12V DC, 110V DC, 207V DC 42V 50-60Hz, 48V 50-60Hz, 110V 50-60Hz
24V ~ (50Hz)	<b>02450</b>	
230V ~ (50Hz)	<b>23050</b>	

coil power consumption at 20 °C, protection class, interface					
coil type	inrush power ~ (50Hz) VA	rated power ~ (50Hz) VA	power = (DC) (W)	protection class with/without connector	interface
E1AA	32	14	12	IP65 / IP00	Connector DIN EN 175301-803 (DIN 43650) type A
E3AE	70	32	27	IP65 / IP00	Connector DIN EN 175301-803 (DIN 43650) type A

ORDER CODE	63 A - 4 T - A E3AE 23050				
	type	function	ports	seal material	supply voltage coil type short circuit ring
type	type 63, body stainless steel				
function	A = normally closed, B = normally open				
ports	4 = G1/2, 5 = G3/4, 6 = G1, 7 = G1 1/4, 8 = G1 1/2, 9 = G2				
seal material	T = PTFE				
short circuit ring	A = copper short circuit ring, X = without short circuit ring, B = solid silver C = copper gold-plated, D = copper chemical nickel-plated				
coil type	see specifications of the particular coil				
supply voltage	always 5-digit, see code of standard voltage				



**dimension table for type 63A (normally closed) in mm**

type	M		d		D	G	h	H	I	L	weight (approx. kg.)
	E1AA	E3AE	E1AA	E3AE							
63A - 4T - AE...	52.5	54	30	36	55	G 1/2	124	138	16	80	1,17
63A - 5T - AE...					60	G 3/4	132	150		90	1,53
63A - 6T - AE...					68	G 1	137	158		100	1,97
63A - 7T - AE...					-	G 1 1/4	-	-		-	-
63A - 8T - AE...					-	G 1 1/2	-	-		-	-
63A - 9T - AE...					-	G 2	-	-		-	-

**dimension table for type 63B (normally open) in mm**

type	M		d		D	G	h	H	I	L	weight (approx. kg.)
	E1AA	E3AE	E1AA	E3AE							
63B - 4T - AE...	52.5	54	36	30	55	G 1/2	130	144	16	80	1,19
63B - 5T - AE...					60	G 3/4	138	156		90	1,55
63B - 6T - AE...					68	G 1	143	165		100	1,99
63B - 7T - AE...					-	G 1 1/4	-	-		-	-
63B - 8T - AE...					-	G 1 1/2	-	-		-	-
63B - 9T - AE...					-	G 2	-	-		-	-