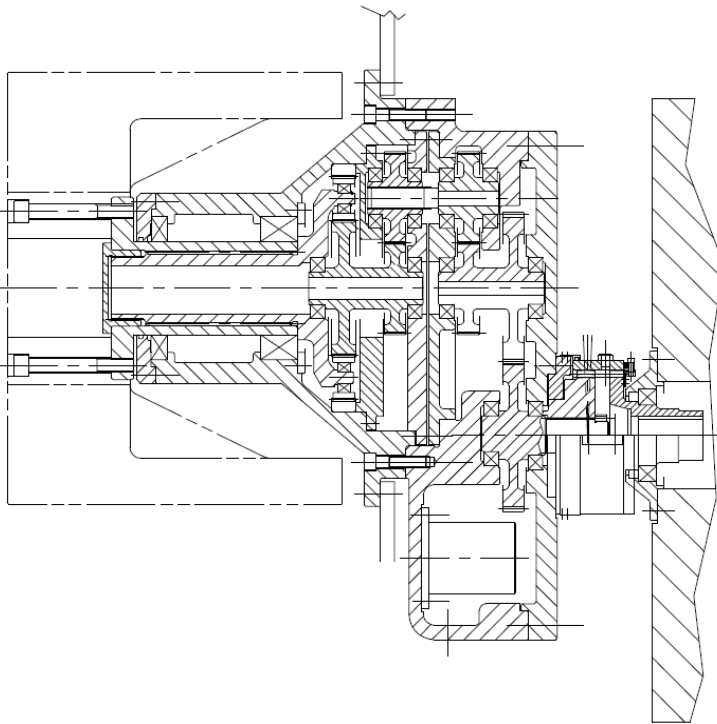


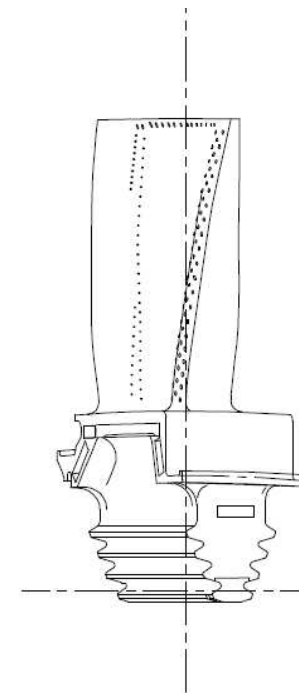
Aeronautics

Engine Groups

- ✓ Complete units design: gearboxes, reduction gears, pump



Reduction Gear for special applications

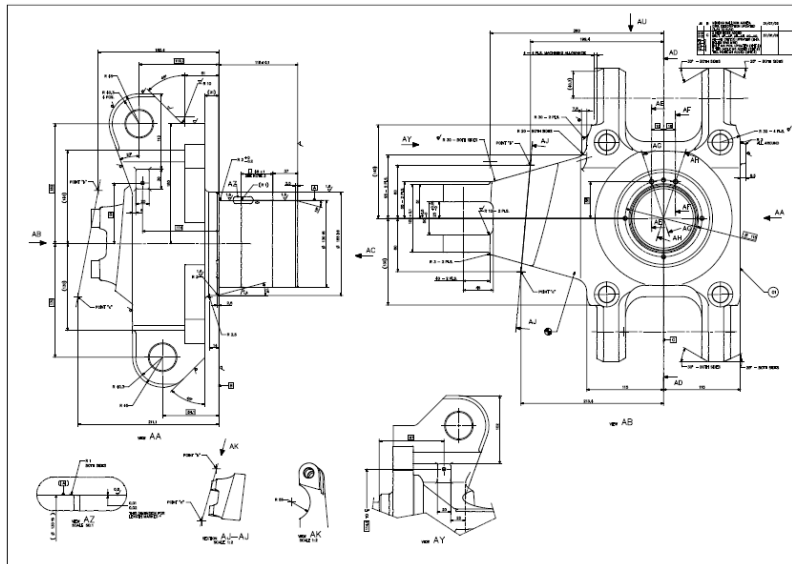


Modelled turbine blade

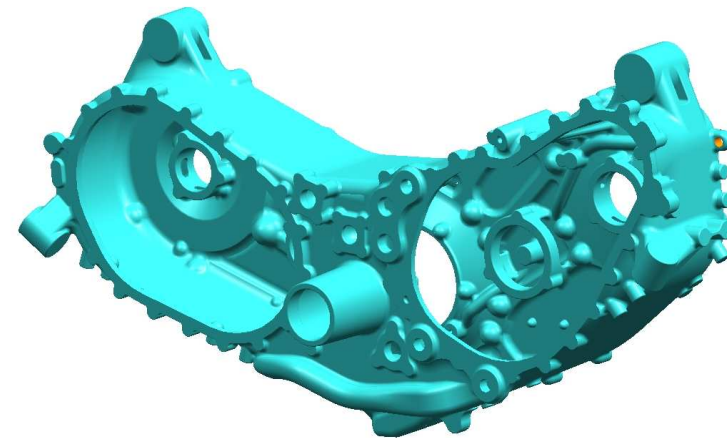
Aeronautics

Engine Groups

- ✓ Drafting and 3D modelling of parts constituting an assembly :
castings, drop forgings, assy of, calculation to the finished elements



Special reduction gear central body



Gearbox housing casting model

Aeronautics

Engine Groups

- ✓ Feasibility analysis: this analysis appraises how a part should be produced, which kind of machines are required for machining, which kind of fixtures or toolings, which kind of gauges, which areas should be appointed for assembling
- ✓ Analysis of production cycle: the possibility of producing a part with the most normal using condition of manufacturing machines
- ✓ Determination of cycle time: investigation of maximum production time of the part to be produced.
- ✓ Manufacturing cycle and operation sheets: more than 30 years of experience in looking for the best working sequence
- ✓ Drafting of PART PROGRAM for management of NC machines.

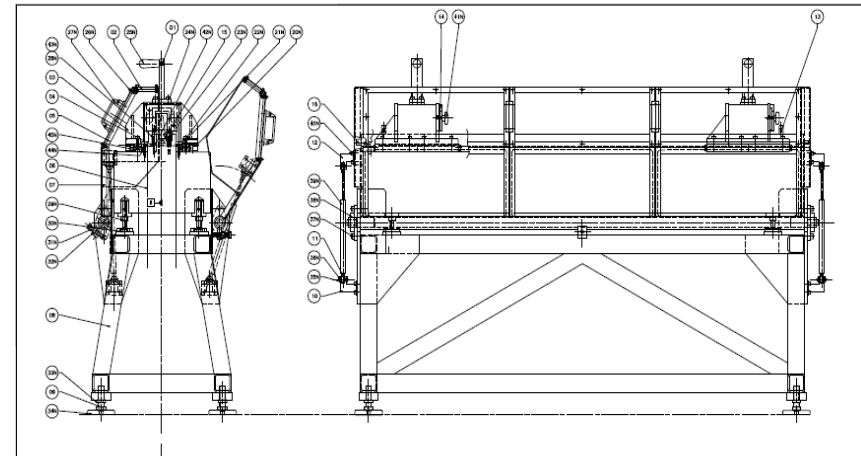
Aeronautics

Engine Groups

- ✓ Studying of dedicated fixtures for single phases : design of fixtures for working centres and for traditional machines, fixtures for washing, fixtures for lifting and handling. Our long experience in this specific job allows us to individuate and to solve problems bound to simplification of subjection of the part on manufacturing machine or alleviation of intervention of the operator



Special tailstock fixture



Inspection fixture

Aeronautics

Engine Groups

- ✓ Design of gages and comparisons for measurements in line and inspection in metrological room
- ✓ Design of test benches and instrumentation and telemetry on impellers, turbines and actuators, for pressure test on castings fatigue test on rotors (high rpm and high loads).



Studio Progettazioni Industriali

Contact Us

For further information about our Company please visit the
web site: www.spi-tech.it

or send an e-mail: spitech@spi-tech.it

or contact us

+39 0119003135 / +39 0119003145

Thank you!