

Bend 45°

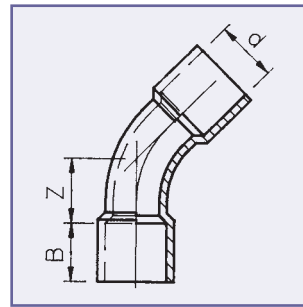
Bocht 45°

Bogen 45°

Courbe 45°

Curva 45°

Curva 45°



32-50 mm R = 1.8d
63-315 mm R = 1.5d

Art.code	d	Z	(= max. tol. +15%) B	PN	Quantity
1.15.032	32	26	25	10	300
1.16.032	32	26	25	16	350
1.15.040	40	36	30	10	150
1.16.040	40	36	30	16	150
1.15.050	50	40	35	10	150
1.16.050	50	40	35	16	125
1.15.063	63	46	43	10	90
1.16.063	63	46	43	16	60
1.15.075	75	54	51	10	50
1.16.075	75	54	51	16	40
1.15.090	90	63	58	10	30
1.16.090	90	63	58	16	20
1.15.110	110	80	70	12.5	15
1.15.125	125	89	79	12.5	10
1.15.140	140	98	87	12.5	7
1.15.160	160	119	99	12.5	5
1.15.200	200	143	122	12.5	1
1.15.225	225	166	137	12.5	1
1.15.250	250	170	151	12.5	1
1.15.280	280	214	168	12.5	1
1.15.315	315	236	188	12.5	1

Bend 30°

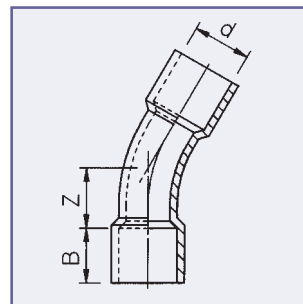
Bocht 30°

Bogen 30°

Courbe 30°

Curva 30°

Curva 30°



R = 2.5d

Art.code	d	Z	(= max. tol. +15%) B	PN	Quantity
1.17.063	63	48	43	10	90
1.17.090	90	65	58	10	30
1.17.110	110	79	70	12.5	15
1.17.125	125	92	79	12.5	10
1.17.140	140	106	87	12.5	7
1.17.160	160	122	99	12.5	5
1.17.200	200	147	122	12.5	1
1.17.225	225	155	137	12.5	1
1.17.250	250	195	151	12.5	1
1.17.280	280	213	168	12.5	1
1.17.315	315	240	188	12.5	1