

# Elbow 90°

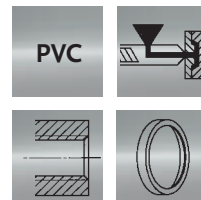
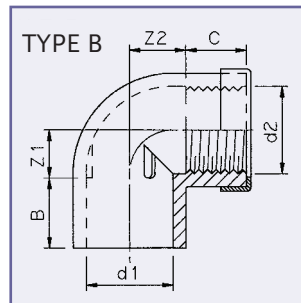
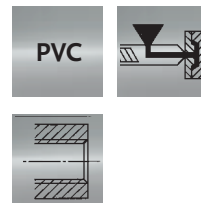
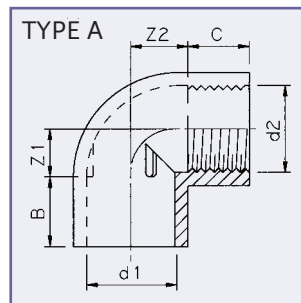
Knie 90°

Winkel 90°

Coude 90°

Gomito 90°

Codo 90°



PVC-u metric

Art.code	d1	d2	Z1	Z2	B	C	Type	PN	Quantity
2.35.016	16	3/8" (F)	9	11	14	12	A	10	200
2.40.016	16	3/8" (F)	11	11	14	12	B	16	50
2.35.020	20	1/2" (F)	11	15	16	16	A	10	200
2.40.020	20	1/2" (F)	11	15	16	16	B	16	50
2.35.025	25	3/4" (F)	13.5	15.5	19	17	A	10	300
2.40.025	25	3/4" (F)	13.5	15.5	19	17	B	16	50
2.35.032	32	1" (F)	17	18	22	21	A	10	100
2.40.032	32	1" (F)	17	18	22	21	B	16	50
2.35.040	40	1 1/4" (F)	21	24	26	23	A	10	100
2.40.040	40	1 1/4" (F)	21	24	26	23	B	16	50
2.35.050	50	1 1/2" (F)	28	32	31	27	A	10	100
2.40.050	50	1 1/2" (F)	28	32	31	27	B	16	50
2.35.063	63	2" (F)	34	41	38	31	A	10	50
2.40.063	63	2" (F)	34	41	38	31	B	16	25
2.40.075	75	2 1/2" (F)	39	47	44	36	B	10	30
2.40.090	90	3" (F)	46	58	51	39	B	10	17
2.40.110	110	4" (F)	56	78	61	39	B	10	12