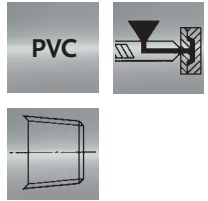
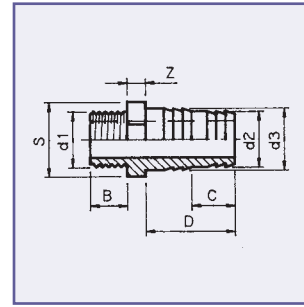


## Hose nozzle

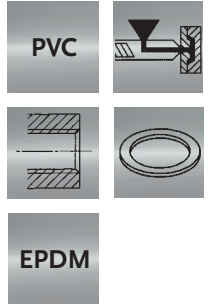
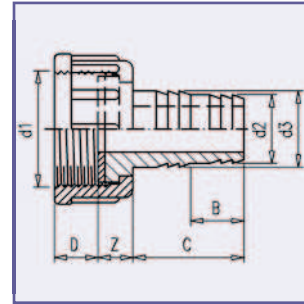
Slangpilaar  
Schlauchtülle  
Embout cannelé  
Portagomma  
Conexión manguera



Art.code	d1	d2	d3	Z	B	C	D	S	Quantity
3.57.013	1/4" (M)	12	14	6	11	16	36	15	100
3.57.017	3/8" (M)	16	18	7	12	18	40	19	100
3.57.021	1/2" (M)	20	22	8	15	20	44	24	100
3.57.026	3/4" (M)	25	28	8	16	24	54	30	100
3.57.033	1" (M)	31	34	9	18	28	63	35	100
3.57.041	1 1/4" (M)	40	43	13	21	32	72	46	100
3.57.051	1 1/2" (M)	50	53	14	21	35	80	55	100
3.57.064	2" (M)	60	66	16	26	40	90	70	50

## Hose nozzle

Slangpilaar  
Schlauchtülle  
Embout cannelé  
Portagomma  
Conexión manguera



Art.code	d1	d2	d3	Z	B	C	D	Quantity
3.57.018	3/4" (F)	16	18	17	18	40	11	50
3.57.022	1" (F)	20	22	17	20	44	11	50
3.57.027	1 1/4" (F)	25	28	17	24	54	13	50
3.57.034	1 1/2" (F)	31	34	20	28	63	13	50
3.57.042	2" (F)	40	43	20	32	72	15	50
3.57.052	2 1/4" (F)	50	53	23	35	80	16	50
3.57.065	2 3/4" (F)	60	66	23	40	90	21	25