

Ball valve type: Did

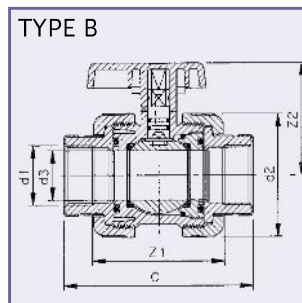
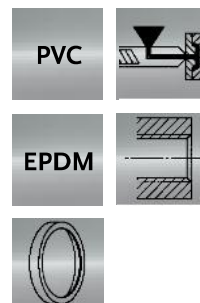
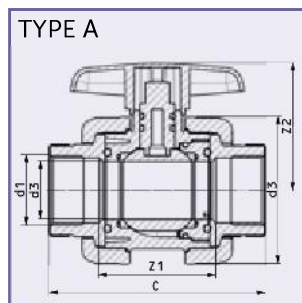
Kogelkraan type: Did

Kugel Hahn Type: Did

Vanne à boisseau type: Did

Valvola a sfera tipo: Did

Válvula de bola tipo: Did



Art.code	Type	d1	d2	d3	Z1	Z2	C	DN	PN	Quantity
6.20.016	A	3/8" (F)	59	15	52.0	50	84	10	16	50
6.20.020	A	1/2" (F)	59	15	52.0	50	84	15	16	50
6.20.025	A	3/4" (F)	64	20	59.0	55	93	20	16	50
6.20.032	A	1" (F)	73	25	66.0	65	108	25	16	50
6.20.040	A	1 1/4" (F)	86	32	76.0	75	122	32	16	25
6.20.050	A	1 1/2" (F)	102	40	102.0	90	148	40	16	15
6.20.063	A	2" (F)	124	50	107.0	103	175	50	16	10
6.20.075	B	2 1/2" (F)	151	63	144.0	123	216	65	10	5
6.20.090	B	3" (F)	178.5	75	178.0	143	256	80	10	3
6.20.110	B	4" (F)	215.5	90	214.0	161	306	100	10	1

Flush out secured.

Uitstroom beveiligd.

Die kugel ist gesichert gegen herauspülen.

Logement du boisseau sécurisé.

Componenti interni della valvola bloccati.

Bola y juntas aseguradas contra arresre.