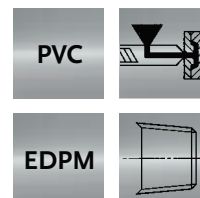
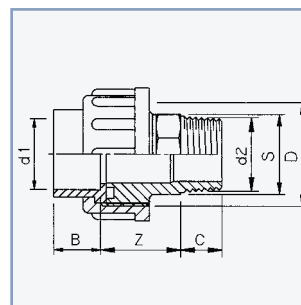


## Adaptor union

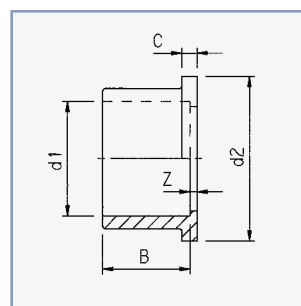
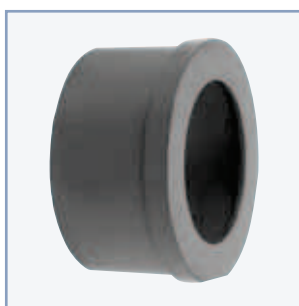
Spuitgietskoppeling  
Verschraubung  
Raccord union  
Bocchettone  
Enlace de unión



Art.code	(inch) d	d2	Z	B	C	D	S	PN	Quantity
3.71.020	1/2	1/2" (M)	31	17	17	1"	30	16	100
3.71.025	3/4	3/4" (M)	25	20	17	1 1/4"	36	16	60
3.71.032	1	1" (M)	34	23	22	1 1/2"	44	16	100
3.71.040	1 1/4	1 1/4" (M)	36	28	24	2"	54	16	80
3.71.050	1 1/2	1 1/2" (M)	41	31	24	2 1/4"	64	16	60
3.71.063	2	2" (M)	46	36	28	2 3/4"	80	16	45
3.70.075	2 1/2	2 1/2" (M)	56	44	34	ZGTD	94	10	25
3.71.090	3	3" (M)	68	51	37	ZGTD	114	10	10
3.71.110	4	4" (M)	71	64	43	ZGTD	138	10	10

## Collar (parts)

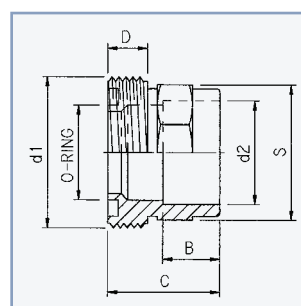
Inlegstuk  
Bundbuchse  
Collet  
Collare  
Portabrida



Art.code	(inch) d1	d2	Z	B	C	Quantity
8.25.021	1/2	1"	2.5	17	5	25
8.25.026	3/4	1 1/4"	2.5	20	6	25
8.25.033	1	1 1/2"	3	23	6	25
8.25.041	1 1/4	2"	3	28	7	25
8.25.051	1 1/2	2 1/4"	4	30	7	25
8.25.064	2	2 3/4"	4	36	8	25
8.25.075	2 1/2	ZGTD	5	44	9	10
8.25.091	3	ZGTD	5	51	10	10
8.25.111	4	ZGTD	4	64	12	10

## Adaptor nipple (parts)

Draadeind  
Gewindestück  
Embout fileté  
Manicotto nipplo  
Manchon de transición



Art.code	d1	(inch) d2	B	C	D	S	O-ring	Quantity
8.22.021	1" (M)	1/2	17	37	12	30	20.22x3.53	25
8.22.026	1 1/4" (M)	3/4	20	38	12	36	28.17x3.53	25
8.22.033	1 1/2" (M)	1	23	42	14	44	32.92x3.53	25
8.22.041	2" (M)	1 1/4	28	45	16	54	40.64x5.33	25
8.22.051	2 1/4" (M)	1 1/2	31	50	18	64	46.99x5.33	25
8.22.064	2 3/4" (M)	2	36	54	20	80	59.69x5.33	25
8.22.075	ZGTD (M)	2 1/2	44	66	30	94	78.74x5.33	10
8.22.091	ZGTD (M)	3	51	77	35	114	97.79x5.33	10
8.22.111	ZGTD (M)	4	64	89	40	138	117.5x5.33	10