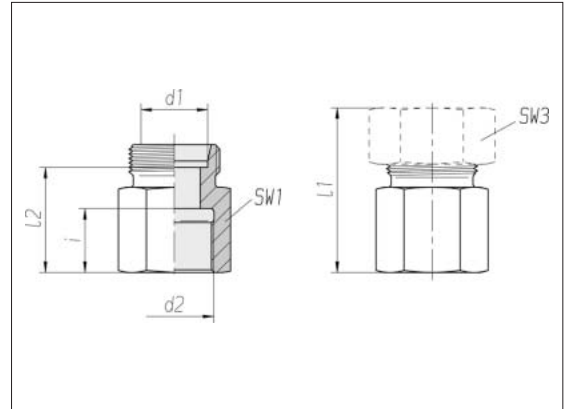


## Straight female stud couplings

Female thread:  
Whitworth pipe thread



Series	Pressure	d2	SW1	SW3	l1*	l2	i	kg/100 approx.	Order No. Single component	Order No. **
Tube OD					approx.					
d1										
L 6	PN 315	G 1/8	14	14	34	19	12	1.8	0 7 44 00 20 00***	0 1 44 00 20 XX
L 8	PN 315	G 1/4	19	17	39	24	17	3.8	0 7 44 05 20 00	0 1 44 05 20 XX
L 8	PN 315	G 3/8	24	17	40	25	17	6.2	0 7 44 07 20 00	0 1 44 07 20 XX
L 10	PN 315	G 1/4	19	19	40	25	17	3.9	0 7 44 10 20 00	0 1 44 10 20 XX
L 10	PN 315	G 3/8	24	19	41	26	17	6.2	0 7 44 12 20 00	0 1 44 12 20 XX
L 10	PN 315	G 1/2	27	19	45	30	20	8.1	0 7 44 13 20 00	0 1 44 13 20 XX
L 12	PN 315	G 1/4	19	22	40	25	17	4.0	0 7 44 16 20 00	0 1 44 16 20 XX
L 12	PN 315	G 3/8	24	22	41	26	17	6.2	0 7 44 15 20 00	0 1 44 15 20 XX
L 12	PN 315	G 1/2	27	22	45.5	31	20	8.4	0 7 44 17 20 00	0 1 44 17 20 XX
L 15	PN 315	G 1/2	27	27	46	31	20	8.6	0 7 44 20 20 00	0 1 44 20 20 XX
L 18	PN 315	G 1/2	27	32	47	30.5	20	8.9	0 7 44 25 20 00	0 1 44 25 20 XX
L 22	PN 160	G 3/4	36	36	52	35.5	22	17.3	0 7 44 30 20 00	0 1 44 30 20 XX
L 28	PN 160	G 1	41	41	54.5	38	24.5	20.9	0 7 44 35 20 00	0 1 44 35 20 XX
L 35	PN 160	G 1 1/4	55	50	62.5	41	26.5	45.7	0 7 44 40 20 00	0 1 44 40 20 XX
L 42	PN 160	G 1 1/2	60	60	65.5	42.5	28.5	52.8	0 7 44 45 20 00	0 1 44 45 20 XX

Supplementary to Order No. for complete fitting tube connection	Supplementary to Order No.
2S	07
ES-4	09
BV-10	Refer to the front page

\* Apply to complete fittings with 2S or ES-4 tube connection components.  
For BV-10 Refer to the front page.

\*\* With union nut and 2S, ES-4 or BV-10 tube connection components

\*\*\* Sample product code, see: GAI06LRX