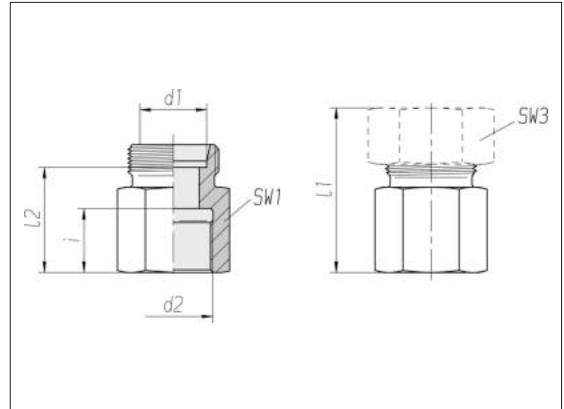


## Straight female stud couplings

Female thread:  
Whitworth pipe thread



Series Tube OD d1	Pressure	d2	SW1	SW3	l1* approx.	l2	i	kg/100 approx.	Order No. Single component	Order No. **
S 6	PB 630	G 1/4	19	17	41	26	17	4.2	0 7 44 50 20 00	0 1 44 50 20 XX
S 6	PB 630	G 1/4	19	17	35.5	21	12	3.5	0 7 44 54 20 00	0 1 44 54 20 XX
S 8	PB 630	G 1/4	19	19	41	26	17	4.4	0 7 44 55 20 00	0 1 44 55 20 XX
S 10	PB 630	G 3/8	24	22	43	26.5	17	6.9	0 7 44 60 20 00	0 1 44 60 20 XX
S 12	PB 630	G 1/4	22	24	43	26.5	17	6.8	0 7 44 66 20 00	0 1 44 66 20 XX
S 12	PB 630	G 3/8	24	24	43	26.5	17	7.1	0 7 44 65 20 00	0 1 44 65 20 XX
S 12	PB 630	G 1/2	27	24	47	30.5	20	8.8	0 7 44 67 20 00	0 1 44 67 20 XX
S 14	PB 630	G 1/2	27	27	50	32	20	9.4	0 7 44 70 20 00	0 1 44 70 20 XX
S 16	PB 400	G 1/2	27	30	50	31.5	20	9.3	0 7 44 75 20 00	0 1 44 75 20 XX
S 20	PB 400	G 3/4	36	36	56	34.5	22	18.9	0 7 44 80 20 00	0 1 44 80 20 XX
S 25	PB 400	G 1	41	46	61.5	37.5	24.5	24.0	0 7 44 85 20 00	0 1 44 85 20 XX
S 30	PB 400	G 1 1/4	55	50	68.5	42	26.5	50.3	0 7 44 90 20 00	0 1 44 90 20 XX
S 38	PB 315	G 1 1/2	60	60	74.5	43.5	28.5	61.5	0 7 44 95 20 00	0 1 44 95 20 XX

Supplementary to Order No. for complete fitting tube connection	Supplementary to Order No.
2S	07
ES-4	09
BV-10	Refer to the front page

\* Apply to complete fittings with  
2S or ES-4 tube connection  
components.  
For BV-10 Refer to the front page.

\*\* With union nut and 2S, ES-4  
or BV-10 tube connection  
components