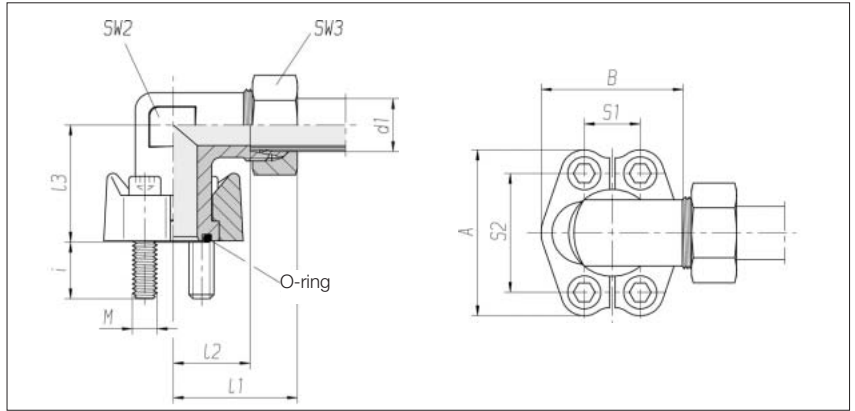


Elbow flange couplings

With cutting-ring connection and divided SAE flange
 Hole pattern according to SAE J 518 C / ISO 6162
 High-pressure series (6000 psi)



Flange size	Series Tube OD d1	PB	SW2	SW3	l1	l2	l3	S1	S2	A	B	i	4 x cheese head screw DIN 912-8.8	O-ring	Nm*	Order No. complete	Order No. **
1/2"	S 16	400	24	30	48	29.5	39	18.3	40.5	56	47	14	M 8 x 30	18.66 x 3.53	25	0 3 05 35 20 81***	0 3 05 35 20 07
3/4"	S 16	400	32	30	55	36.5	48	23.8	50.8	71	60	16	M 10 x 35	25 x 3.53	50	0 3 05 36 20 81	0 3 05 36 20 07
3/4"	S 20	400	32	36	57	35.5	48	23.8	50.8	71	60	16	M 10 x 35	25 x 3.53	50	0 3 05 37 20 81	0 3 05 37 20 07
3/4"	S 25	400	32	46	60	36	48	23.8	50.8	71	60	16	M 10 x 35	25 x 3.53	50	0 3 05 38 20 81	0 3 05 38 20 07
1"	S 25	400	41	46	65	41	60	27.8	57.2	81	70	21	M 12 x 45	32.92 x 3.53	85	0 3 05 39 20 81	0 3 05 39 20 07
1"	S 30	400	41	50	68	41.5	60	27.8	57.2	81	70	21	M 12 x 45	32.92 x 3.53	85	0 3 05 40 20 81	0 3 05 40 20 07
1 1/4"	S 30	400	46	50	71	44.5	68	31.8	66.7	95	78	23	M 14 x 50	37.7 x 3.53	135	0 3 05 42 20 81	0 3 05 42 20 07
1 1/4"	S 38	315	46	60	76	45	68	31.8	66.7	95	78	23	M 14 x 50	37.7 x 3.53	135	0 3 05 44 20 81	0 3 05 44 20 07
1 1/2"	S 38	315	50	60	87	56	76	36.5	79.4	113	95	25	M 16 x 55	47.22 x 3.53	210	0 3 05 46 20 81	0 3 05 46 20 07

* Nm = Recommended tightening torques for cheese head screws M10 - 16 with friction value μ total 0,14

** With union nut and 2S cutting ring

*** Sample product code, see: WFS62/16S