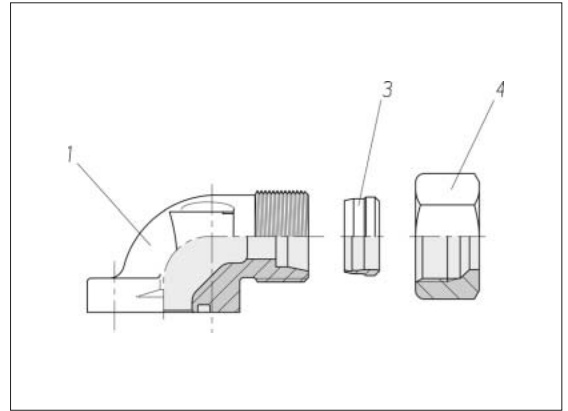


Racores de brida en codo Piezas sueltas

con conexión por brida
de anillo de corte y cuadrada



| Serie Tubo-ØEx | PB | Orificio Circulo Ø | kg/100 aprox. | Referencia Pieza 1 | Referencia Pieza 3 | Referencia Pieza 4 |
|-------------------|-----|-----------------------|------------------|-----------------------|-----------------------|-----------------------|
| L 10 | 315 | 35 | 14,2 | 0 7 95 42 20 00* | 0 0 10 10 20 00 | 0 0 04 10 21 00 |
| L 12 | 315 | 35 | 15,7 | 0 7 95 62 20 00 | 0 0 10 15 20 00 | 0 0 04 15 21 00 |
| L 15 | 250 | 35 | 15,0 | 0 7 95 63 20 00 | 0 0 10 20 20 00 | 0 0 04 20 21 00 |
| L 15 | 100 | 40 | 20,1 | 0 7 95 64 20 00 | 0 0 10 20 20 00 | 0 0 04 20 21 00 |
| L 18 | 100 | 35 | 17,9 | 0 7 95 45 20 00 | 0 0 10 25 20 00 | 0 0 04 25 21 00 |
| L 18 | 100 | 40 | 16,9 | 0 7 95 43 20 00 | 0 0 10 25 20 00 | 0 0 04 25 21 00 |
| L 22 | 100 | 40 | 17,7 | 0 7 95 44 20 00 | 0 0 10 30 20 00 | 0 0 04 30 21 00 |
| L 28 | 100 | 40 | 26,0 | 0 7 95 15 20 00 | 0 0 10 35 20 00 | 0 0 04 35 21 00 |
| L 35 | 100 | 40 | 32,2 | 0 7 95 27 20 00 | 0 0 10 40 20 00 | 0 0 04 40 21 00 |
| L 35 | 100 | 55 | 46,6 | 0 7 95 17 20 00 | 0 0 10 40 20 00 | 0 0 04 40 21 00 |
| S 12 | 315 | 35 | 27,1 | 0 7 95 88 20 00 | 0 0 10 15 20 00 | 0 0 04 65 21 00 |
| S 16 | 315 | 35 | 17,3 | 0 7 95 25 20 00 | 0 0 10 75 20 00 | 0 0 04 75 21 00 |
| S 20 | 315 | 35 | 22,3 | 0 7 95 11 20 00 | 0 0 10 80 20 00 | 0 0 04 80 21 00 |
| S 20 | 250 | 55 | 44,9 | 0 7 95 18 20 00 | 0 0 10 80 20 00 | 0 0 04 80 21 00 |
| S 20 | 250 | 40 | 20,2 | 0 7 95 13 20 00 | 0 0 10 80 20 00 | 0 0 04 80 21 00 |
| S 25 | 250 | 55 | 49,1 | 0 7 95 89 20 00 | 0 0 10 85 20 00 | 0 0 04 85 21 00 |
| S 30 | 250 | 55 | 49,8 | 0 7 95 24 20 00 | 0 0 10 90 20 00 | 0 0 04 90 21 00 |

* Ejemplo Ref. Comp.:
BFW10L/LK35OMD