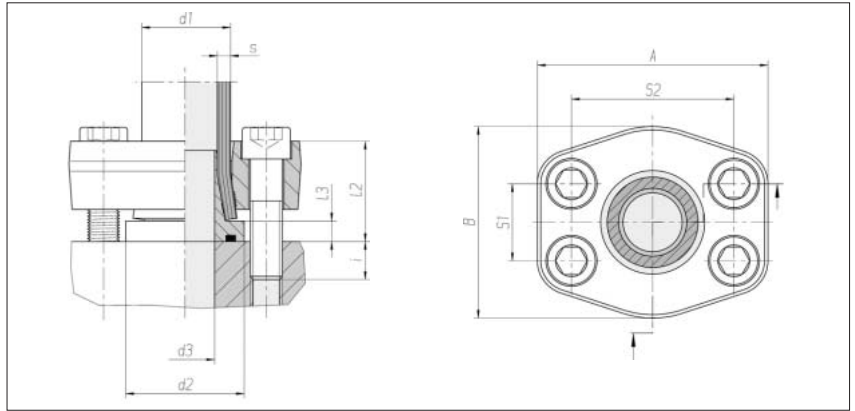


Tube-to-port flange couplings ZAKO system

Hole pattern according to
SAEJ 518 C / ISO 6162
High-pressure series
(6000 psi)

Max. permissible operating
pressure (PB) 400 bar

Reducing couplings



Flange size	Tube d1 x s	d2	d3	l2 approx.	l3	S1	S2	A	B	i	4 x cheese approx. head screw	Nm*	kg/100 approx.	Order No. complete	Order No. ***
1"	38 x 5	46	26	43	9	27.8	57.2	81	70	14	M 12 x 40	120	89.9	0 5 13 54 19 00**	0 5 13 54 19 86
2"	50 x 5	63	37	58	10	44.5	96.8	133	114	32	M 20 x 90	580	438.5	0 5 13 57 19 00	0 5 13 57 19 86
2"	50 x 6	63	35	60	10	44.5	96.8	133	114	30	M 20 x 90	580	438.4	0 5 13 58 19 00	0 5 13 58 19 86
2"	50 x 8	63	31	61	10	44.5	96.8	133	114	34	M 20 x 90	580	440.7	0 5 13 43 19 00	0 5 13 43 19 86

When selecting the tube dimensions, refer to the pressure specifications of the tube manufacturer.

* Recommended tightening torques (Nm max.) at 10.9

** Sample product code, see: FE-3850-16/6

*** without screws