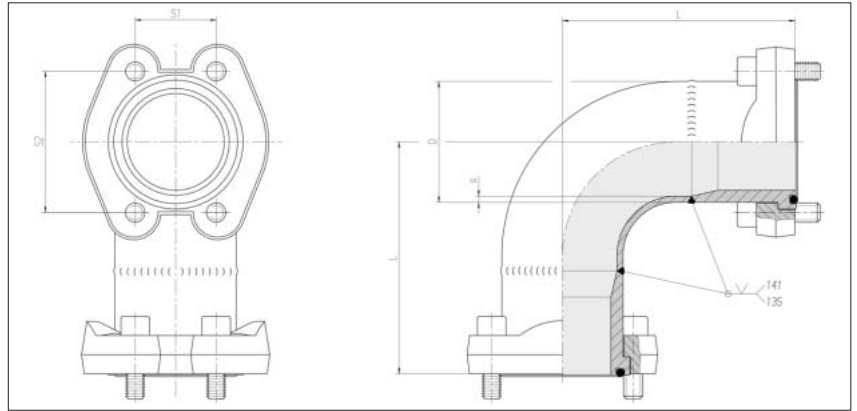


Tube-to-tube flange couplings ZAKO system Low Pressure

Hole pattern according to
SAE J 518 C / ISO 6162-1

90° bend

Max. permissible operating
pressure (PB) 60 bar



Flange size NW	L	S1	S2	4 x cheese head screw*	O-ring	Nm**	Order No.
1 1/2"	104	35.7	69.9	M 12 x 35	47.22 x 3.53	85	0 5 00 58 20 00
2"	123	42.9	77.8	M 12 x 35	56.74 x 3.53	85	0 5 00 60 20 00
2 1/2"	146	50.8	88.9	M 12 x 40	69.44 x 3.53	85	0 5 00 62 20 00
3"	161	61.9	106.4	M 16 x 45	85.32 x 3.53	210	0 5 00 64 20 00
3 1/2"	186	69.9	120.7	M 16 x 45	98.02 x 3.53	210	0 5 00 66 20 00
5"	241	92.1	152.4	M 16 x 50	136.12 x 3.53	210	0 5 00 68 20 00

* Screws according to DIN 912,
property class 8.8

** Recommended tightening torque
(Nm max.) at friction coefficient
 μ total: 0,14