

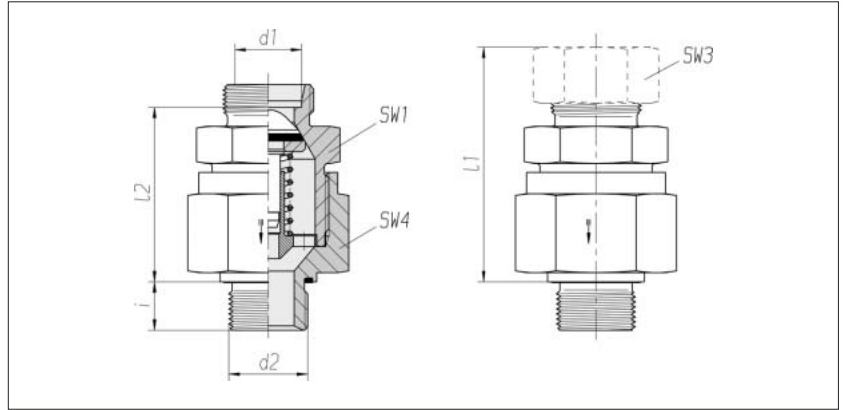
Non-return valves

Flow direction to threaded stud

Thread:
metric fine thread,
straight

Sealed with PEFLEX seal

Opening pressure 1 bar
(standard design)



Series	Pressure*	d2	SW1	SW3	SW4	l1**	l2	i	Nm -10 %	kg/100 approx.	Order No. Single component	Order No. ***
Tube OD d1						approx.						
L 6	PB 250	M 10 x 1	17	14	17	42.5	28	8	15	5.7	0 6 03 30 20 81****	0 6 03 30 20 XX
L 8	PB 250	M 12 x 1.5	19	17	19	43.5	28.5	12	25	5.5	0 6 03 31 20 81	0 6 03 31 20 XX
L 10	PB 250	M 14 x 1.5	22	19	24	53.5	38.5	12	50	10.3	0 6 03 32 20 81	0 6 03 32 20 XX
L 12	PB 250	M 16 x 1.5	27	22	30	55.5	41	12	70	16.5	0 6 03 33 20 81	0 6 03 33 20 XX
L 15	PB 250	M 18 x 1.5	30	27	32	59.5	44	12	90	19.9	0 6 03 34 20 81	0 6 03 34 20 XX
L 18	PB 160	M 22 x 1.5	36	32	36	64.5	48	14	130	28.3	0 6 03 35 20 81	0 6 03 35 20 XX
L 22	PB 160	M 26 x 1.5	41	36	46	72.5	56	16	180	47.9	0 6 03 36 20 81	0 6 03 36 20 XX
L 28	PB 100	M 33 x 2	50	41	55	82	65.5	18	230	79.4	0 6 03 37 20 81	0 6 03 37 20 XX
L 35	PB 100	M 42 x 2	60	50	65	93	71.5	20	330	125.8	0 6 03 38 20 81	0 6 03 38 20 XX
L 42	PB 100	M 48 x 2	65	60	75	98.5	75.5	22	500	194.0	0 6 03 39 20 81	0 6 03 39 20 XX
S 6	PB 630	M 12 x 1.5	19	17	19	46.5	31.5	12	50	9.3	0 6 03 40 20 81	0 6 03 40 20 XX
S 8	PB 630	M 14 x 1.5	19	19	19	46.5	31.5	12	60	9.2	0 6 03 41 20 81	0 6 03 41 20 XX
S 10	PB 630	M 16 x 1.5	22	22	24	54	38	12	80	11.8	0 6 03 42 20 81	0 6 03 42 20 XX
S 12	PB 630	M 18 x 1.5	24	24	27	57	41	12	90	18.9	0 6 03 43 20 81	0 6 03 43 20 XX
S 14	PB 630	M 20 x 1.5	27	27	32	61.5	43.5	14	130	27.9	0 6 03 44 20 81	0 6 03 44 20 XX
S 16	PB 400	M 22 x 1.5	32	30	36	65	46.5	14	130	27.5	0 6 03 45 20 81	0 6 03 45 20 XX
S 20	PB 400	M 27 x 2	41	36	46	73.5	52	16	200	50.3	0 6 03 46 20 81	0 6 03 46 20 XX
S 25	PB 400	M 33 x 2	46	46	50	81	57	18	250	65.5	0 6 03 47 20 81	0 6 03 47 20 XX
S 30	PB 250	M 42 x 2	55	50	60	92.5	66	20	500	133.8	0 6 03 48 20 81	0 6 03 48 20 XX
S 38	PB 250	M 48 x 2	65	60	70	103.5	72.5	22	600	196.9	0 6 03 49 20 81	0 6 03 49 20 XX

Supplementary to Order No. for complete fitting

tube connection

Supplementary to Order No.

2S

07

ES-4

09

BV-10

Refer to the front page

* Test pressure PP = 1.5 x table value

** Apply to complete fittings with 2S or ES-4 tube connection components.
For BV-10 Refer to the front page.

*** With union nut and 2S, ES-4 or BV-10 tube connection components

**** Sample product code, see: RHZ06LMEDOMD