

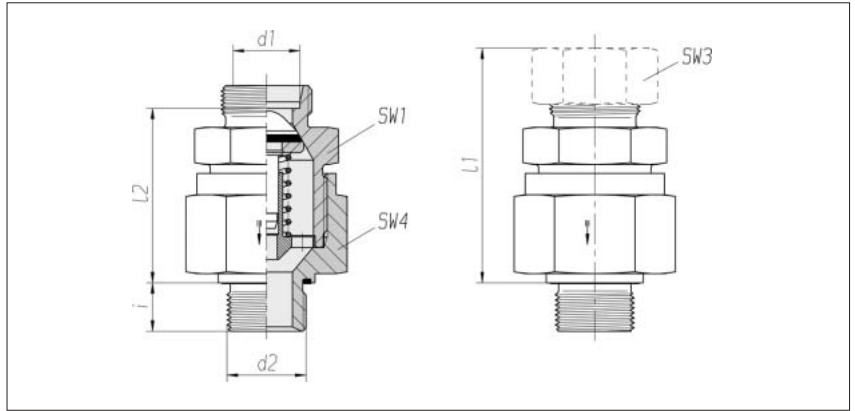
# Non-return valves

Flow direction to threaded stud

Thread:  
Whitworth pipe thread,  
straight

Sealed with PEFLEX seal

Opening pressure 1 bar  
(standard design)



Series	Pressure*	d2	SW1	SW3	SW4	l1**	l2	i	Nm	kg/100	Order No.	Order No.
Tube OD						approx.			-10 %	approx.	Single component	***
d1												
L 6	PB 250	G 1/8 A	17	14	17	42.5	28	8	20	4.5	0 6 04 30 20 81****	0 6 04 30 20 XX
L 8	PB 250	G 1/4 A	19	17	19	43.5	28.5	12	50	5.8	0 6 04 31 20 81	0 6 04 31 20 XX
L 10	PB 250	G 1/4 A	22	19	24	55	40	12	50	10.6	0 6 04 32 20 81	0 6 04 32 20 XX
L 12	PB 250	G 3/8 A	27	22	30	56	41.5	12	80	16.8	0 6 04 33 20 81	0 6 04 33 20 XX
L 15	PB 250	G 1/2 A	30	27	32	59	44	14	100	20.8	0 6 04 34 20 81	0 6 04 34 20 XX
L 18	PB 160	G 1/2 A	36	32	36	64.5	48	14	100	28.0	0 6 04 35 20 81	0 6 04 35 20 XX
L 22	PB 160	G 3/4 A	41	36	46	73.5	57	16	180	49.4	0 6 04 36 20 81	0 6 04 36 20 XX
L 28	PB 100	G 1 A	50	41	55	83.5	67	18	230	81.9	0 6 04 37 20 81	0 6 04 37 20 XX
L 35	PB 100	G 1 1/4 A	60	50	65	93	71.5	20	330	121.7	0 6 04 38 20 81	0 6 04 38 20 XX
L 42	PB 100	G 1 1/2 A	65	60	75	98.5	75.5	22	500	167.2	0 6 04 39 20 81	0 6 04 39 20 XX
S 6	PB 630	G 1/4 A	19	17	19	46.5	31.5	12	60	7.0	0 6 04 40 20 81	0 6 04 40 20 XX
S 8	PB 630	G 1/4 A	19	19	19	46.5	31.5	12	60	6.9	0 6 04 41 20 81	0 6 04 41 20 XX
S 10	PB 630	G 3/8 A	22	22	24	54	38	12	90	12.0	0 6 04 42 20 81	0 6 04 42 20 XX
S 12	PB 630	G 3/8 A	24	24	27	57	41	12	90	15.0	0 6 04 43 20 81	0 6 04 43 20 XX
S 14	PB 630	G 1/2 A	27	27	32	61.5	43.5	14	150	21.6	0 6 04 44 20 81	0 6 04 44 20 XX
S 16	PB 400	G 1/2 A	32	30	36	66.5	48	14	150	28.0	0 6 04 45 20 81	0 6 04 45 20 XX
S 20	PB 400	G 3/4 A	41	36	46	73.5	52	16	200	50.7	0 6 04 46 20 81	0 6 04 46 20 XX
S 25	PB 400	G 1 A	46	46	50	81	57	18	250	65.6	0 6 04 47 20 81	0 6 04 47 20 XX
S 30	PB 250	G 1 1/4 A	55	50	60	92.5	66	20	500	108.5	0 6 04 48 20 81	0 6 04 48 20 XX
S 38	PB 250	G 1 1/2 A	65	60	70	103.5	72.5	22	600	161.8	0 6 04 49 20 81	0 6 04 49 20 XX

Supplementary to Order No. for complete fitting tube connection	Supplementary to Order No.
2S	07
ES-4	09
BV-10	Refer to the front page

\* Test pressure PP = 1.5 x table value

\*\* Apply to complete fittings with 2S or ES-4 tube connection components.  
For BV-10 Refer to the front page.

\*\*\* With union nut and 2S, ES-4 or BV-10 tube connection components

\*\*\*\* Sample product code, see: RHZ06LREDOMD