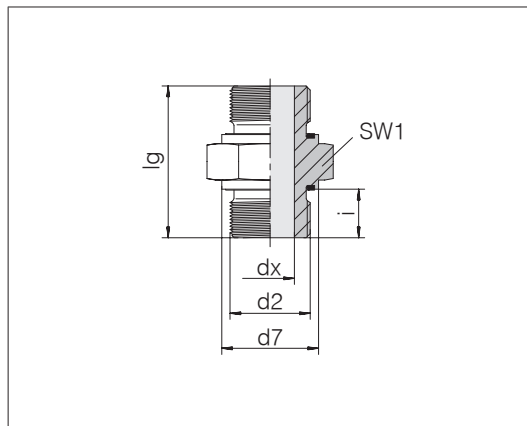


Double nipple

Male thread tube-to-tube: BSPP thread, cylindrical
 Threaded stud: ISO 1179-2 Form E
 Sealing type: Profile sealing ring PEFLEX
 Sealing material: Standard NBR



d2	Pressure	d7	dx	lg	SW1	i	Nm -10 %	kg/100 ca.	Order-No.	Designation
G 1/8 A	PN 500	13.9	4	23	14	8	20	1.5	1794682000	GP-SD2S-G1/8E-G1/8E-ID4
G 1/4 A	PN 630	18.9	5	34	19	12	60	4.0	1794672000	GP-SD2S-G1/4E-G1/4E
G 3/8 A	PN 630	21.9	8	38.5	22	12	90	6.5	1798262000	GP-SD2S-G3/8E-G3/8E
G 1/2 A	PN 630	26.9	10	45	30	14	150	12.2	1798232000	GP-SD2S-G1/2E-G1/2E
G 3/4 A	PN 420	31.9	16	50	36	16	200	17.6	1796692000	GP-SD2S-G3/4E-G3/4E
G 1 A	PN 420	39.9	20	56	41	18	250	29.8	1794662000	GP-SD2S-G1E-G1E
G 1 1/4 A	PN 420	49.9	25	60	50	20	500	49.7	1794652000	GP-SD2S-G11/4E-G11/4E
G 1 1/2 A	PN 420	54.9	32	67	55	22	600	62.0	1794642000	GP-SD2S-G11/2E-G11/2E
G 2 A	PN 160	74.9	40	73	75	24	700	117.4	1794632000	GP-SD2S-G2E-G2E