

Male stud connectors

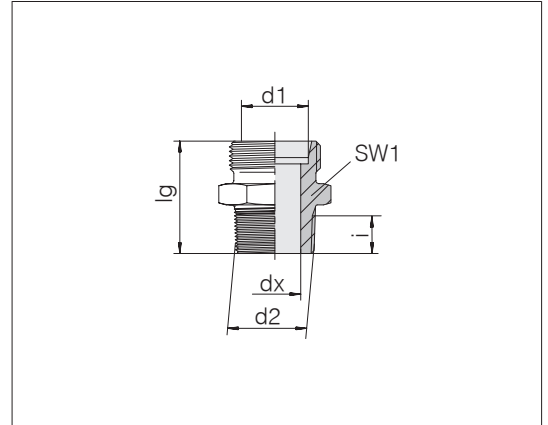
Male thread: NPT thread, tapered

Threaded stud: ASME B1.20.1

Sealing type: Tapered thread

Sealing material: e.g. PTFE sealing tape

Tube coupling: 24° in acc. with ISO 8434-1



Series Tube OD d1	d2	Pressure	dx	lg	SW1	i	Nm -10 %	kg/100 ca.	Order-No.	Designation	
S 6	1/4 NPT	PN 630	4	33.1	17	10.2	35	3.3	0706502000	24-SDS-S6-N1/4T	¹⁾
S 8	1/4 NPT	PN 630	5	35.1	17	10.2	35	3.8	0706552000	24-SDS-S8-N1/4T	¹⁾
S 8	3/8 NPT	PN 630	5	35	19	10.4	55	4.5	0706572000	24-SDS-S8-N3/8T	
S 10	1/8 NPT	PN 630	4	30.9	19	6.7	15	4.0	0706632000	24-SDS-S10-N1/8T	
S 10	1/4 NPT	PN 630	5	35.1	19	10.2	35	4.3	0706612000	24-SDS-S10-N1/4T	
S 10	3/8 NPT	PN 630	7	35.2	19	10.4	55	4.8	0706602000	24-SDS-S10-N3/8T	¹⁾
S 10	1/2 NPT	PN 630	7	41.8	24	13.6	110	9.0	0706622000	24-SDS-S10-N1/2T	
S 12	1/4 NPT	PN 630	5	37.1	22	10.2	35	5.8	0706662000	24-SDS-S12-N1/4T	
S 12	3/8 NPT	PN 630	8	37.2	22	10.4	55	6.2	0706652000	24-SDS-S12-N3/8T	¹⁾
S 12	1/2 NPT	PN 630	8	41.8	24	13.6	110	9.0	0706672000	24-SDS-S12-N1/2T	
S 14	3/8 NPT	PN 630	8	39	24	10.4	55	7.2	0706712000	24-SDS-S14-N3/8T	
S 14	1/2 NPT	PN 630	10	43.8	27	13.6	110	9.9	0706702000	24-SDS-S14-N1/2T	¹⁾
S 16	3/8 NPT	PN 400	8	39.2	27	10.4	55	8.4	0706762000	24-SDS-S16-N3/8T	
S 16	1/2 NPT	PN 400	12	43.8	27	13.6	110	9.4	0706752000	24-SDS-S16-N1/2T	¹⁾
S 16	3/4 NPT	PN 400	12	44	30	13.9	175	13.5	0706772000	24-SDS-S16-N3/4T	
S 20	1/2 NPT	PN 400	14	47.8	32	13.6	110	12.7	0706812000	24-SDS-S20-N1/2T	
S 20	3/4 NPT	PN 400	16	48.1	32	13.9	175	14.9	0706802000	24-SDS-S20-N3/4T	¹⁾
S 20	1 NPT	PN 400	16	55	36	17.3	265	25.0	0706822000	24-SDS-S20-N1T	
S 25	3/4 NPT	PN 400	18	52.1	41	13.9	175	22.7	0706862000	24-SDS-S25-N3/4T	
S 25	1 NPT	PN 400	20	57	41	17.3	265	28.1	0706852000	24-SDS-S25-N1T	¹⁾
S 30	1 NPT	PN 400	22	59	46	17.3	265	32.2	0706912000	24-SDS-S30-N1T	
S 30	1 1/4 NPT	PN 400	25	59.6	46	18	315	39.3	0706902000	24-SDS-S30-N11/4T	¹⁾
S 38	1 1/2 NPT	PN 315	32	65	55	18.4	385	57.2	0706952000	24-SDS-S38-N11/2T	¹⁾

¹⁾ Standard size