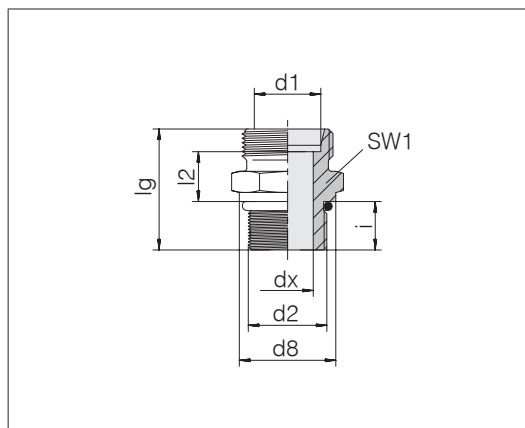


## Male stud connectors

Male thread: UN/UNF, cylindrical  
 Threaded stud: ISO 11926-2/3  
 Abdichtungsart: O-Ring (Form F)  
 Sealing material: Standard NBR

Tube coupling: 24° in acc. with ISO 8434-1



Series	d2	Pressure	d8	dx	lg	l2	SW1	i	Nm -10 %	kg/100 ca.	Order-No.	Designation	
L	28	7/8-14 UNF-2A	PN 250	27	12	38	17.8	41	12.7	60	13.7	0782872000	24-SDS-L28-U7/8-14F
L	28	1 1/16-12 UN-2A	PN 250	32	18	40	17.5	41	15	110	14.3	0782592000	24-SDS-L28-U11/16-12F
L	28	1 5/16-12 UN-2A	PN 250	38.1	23	40	17.5	41	15	165	16.2	0782602000	24-SDS-L28-U15/16-12F
L	28	1 5/8-12 UN-2A	PN 250	48	24	40	17.5	50	15	220	26.4	0782922000	24-SDS-L28-U15/8-12F
L	35	1 3/16-12 UN-2A	PN 250	35	20	43	17.5	46	15	140	20.3	0782912000	24-SDS-L35-U13/16-12F
L	35	1 5/16-12 UN-2A	PN 250	39	23	43	17.5	46	15	165	21.1	0782612000	24-SDS-L35-U15/16-12F
L	35	1 5/8-12 UN-2A	PN 250	48	30	43	17.5	50	15	220	24.9	0782842000	24-SDS-L35-U15/8-12F
L	35	1 7/8-12 UN-2A	PN 250	54	30	45	19.5	55	15	260	31.2	0782972000	24-SDS-L35-U17/8-12F
L	42	1 5/8-12 UN-2A	PN 250	48	30	45	19	55	15	220	30.8	0782932000	24-SDS-L42-U15/8-12F
L	42	1 7/8-12 UN-2A	PN 250	54	36	45	19	55	15	260	31.6	0782622000	24-SDS-L42-U17/8-12F
S	6	7/16-20 UNF-2A	PN 800	15.8	4	29	12.8	17	9.2	30	2.7	0782642000	24-SDS-S6-U7/16-20F
S	8	7/16-20 UNF-2A	PN 800	15.8	4	31	14.8	17	9.2	30	3.2	0782882000	24-SDS-S8-U7/16-20F
S	8	1/2-20 UNF-2A	PN 800	16.2	5	31	14.8	17	9.2	45	3.4	0782652000	24-SDS-S8-U1/2-20F
S	8	9/16-18 UNF-2A	PN 800	17.7	5	32	15	19	10	75	4.5	0782632000	24-SDS-S8-U9/16-18F
S	10	9/16-18 UNF-2A	PN 800	17.7	7	32.5	15	19	10	75	4.1	0782662000	24-SDS-S10-U9/16-18F
S	10	3/4-16 UNF-2A	PN 800	23	7	33.7	15	24	11.2	100	6.6	0782672000	24-SDS-S10-U3/4-16F
S	12	9/16-18 UNF-2A	PN 800	17.7	7	34.5	17	22	10	75	5.5	1782422000	24-SDS-S12-U9/16-18F
S	12	3/4-16 UNF-2A	PN 630	23	8	36	17.3	24	11.2	100	7.4	0782692000	24-SDS-S12-U3/4-16F
S	12	7/8-14 UNF-2A	PN 630	27	8	37	16.8	27	12.7	160	9.7	0782702000	24-SDS-S12-U7/8-14F
S	14	9/16-18 UNF-2A	PN 630	17.7	7	37	19	24	10	75	6.8	0782712000	24-SDS-S14-U9/16-18F
S	14	3/4-16 UNF-2A	PN 630	23	10	38	18.8	24	11.2	100	7.6	0782722000	24-SDS-S14-U3/4-16F
S	16	3/4-16 UNF-2A	PN 630	23	12	38	18.3	27	11.2	100	8.1	0782732000	24-SDS-S16-U3/4-16F
S	16	7/8-14 UNF-2A	PN 630	27	12	37.5	16.3	27	12.7	160	8.7	0782742000	24-SDS-S16-U7/8-14F
S	16	1 1/16-12 UN-2A	PN 630	32	12	42	18.5	32	15	270	14.4	0782752000	24-SDS-S16-U11/16-12F
S	20	3/4-16 UNF-2A	PN 420	23	10	42	20.3	32	11.2	100	12.7	0782772000	24-SDS-S20-U3/4-16F
S	20	7/8-14 UNF-2A	PN 420	27	12	43.5	20.3	32	12.7	160	13.8	0782782000	24-SDS-S20-U7/8-14F
S	20	1 1/16-12 UN-2A	PN 420	32	16	46	20.5	32	15	430	15.0	0782792000	24-SDS-S20-U11/16-12F
S	20	1 5/16-12 UN-2A	PN 420	38.1	16	48	22.5	41	15	270	25.0	1782552000	24-SDS-S20-U15/16-12F
S	20	1 5/8-12 UN-2A	PN 420	48	16	48	22.5	50	15	450	36.5	1782412000	24-SDS-S20-U15/8-12F

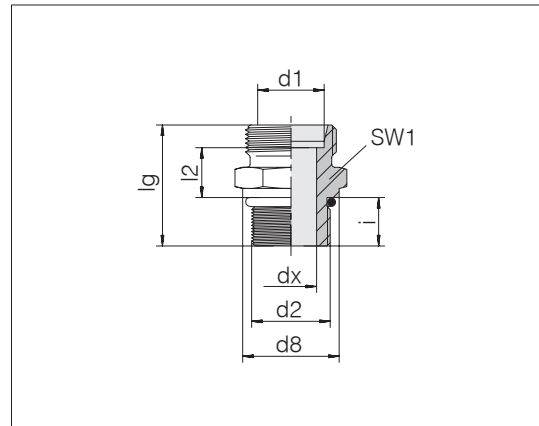
Continued on following page



## Male stud connectors

Male thread: UN/UNF, cylindrical  
 Threaded stud: ISO 11926-2/3  
 Abdichtungsart: O-Ring (Form F)  
 Sealing material: Standard NBR

Tube coupling: 24° in acc. with ISO 8434-1



3

Series	d2	Pressure	d8	dx	lg	l2	SW1	i	Nm -10 %	kg/100 ca.	Order-No.	Designation
S 25	1 1/16-12 UN-2A	PN 420	32	16	50	23	41	15	270	23.5	0782942000	24-SDS-S25-U11/16-12F
S 25	1 5/16-12 UN-2A	PN 420	38.1	20	50	23	41	15	430	25.7	0782802000	24-SDS-S25-U15/16-12F
S 30	1 1/16-12 UN-2A	PN 420	32	16	52	23.5	46	15	270	30.1	0782812000	24-SDS-S30-U11/16-12F
S 30	1 5/16-12 UN-2A	PN 420	38.1	22	52	23.5	46	15	430	30.7	0782822000	24-SDS-S30-U15/16-12F
S 30	1 5/8-12 UN-2A	PN 420	48	25	52	23.5	50	15	450	38.1	0782852000	24-SDS-S30-U15/8-12F
S 38	1 5/8-12 UN-2A	PN 315	48	25	57	26	55	15	450	51.6	0782952000	24-SDS-S38-U15/8-12F
S 38	1 7/8-12 UN-2A	PN 315	54	32	57	26	55	15	520	51.9	0782832000	24-SDS-S38-U17/8-12F