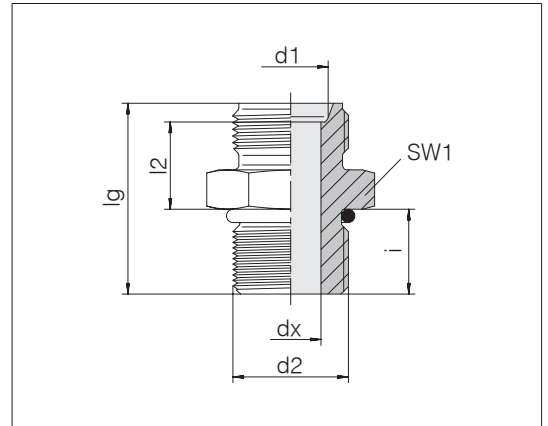


Male stud connectors

Male thread: UN/UNF, cylindrical
 Threaded stud: ISO 11926-2/3 (SAE J1926-2/3)
 Sealing type: O-ring (Form F)
 Sealing material: Standard FKM

Tube coupling: VOSS *Lok*⁴⁰



Tube OD d1	d2 UN/UNF	dx	lg	l2	SW1	i	kg/100 ca.	Order-No.	Designation
6	7/16-20 UNF-2A	4.5	27	13.4	14	11	1.8	7001267700	40-SDS-6-U7/16-20F-SST
8	1/2-20 UNF-2A	6	28.5	14.8	17	11	2.6	7001268000	40-SDS-8-U1/2-20F-SST
10	9/16-18 UNF-2A	7.5	29.5	14.5	19	12	3.4	7001268300	40-SDS-10-U9/16-18F-SST
12	3/4-16 UNF-2A	10	33.5	16.4	24	14	6.3	7001268600	40-SDS-12-U3/4-16F-SST
14	7/8-14 UNF-2A	11.5	36	16.8	27	16	9.0	7001268900	40-SDS-14-U7/8-14F-SST
15	7/8-14 UNF-2A	12	36	16.7	27	16	8.7	7001269200	40-SDS-15-U7/8-14F-SST
16	7/8-14 UNF-2A	12.5	36	16.5	27	16	8.4	7001269500	40-SDS-16-U7/8-14F-SST
18	7/8-14 UNF-2A	12.5	37.5	17.9	27	16	9.2	7001269800	40-SDS-18-U7/8-14F-SST
20	1 1/16-12 UN-2A	15.5	40	17.8	32	18.5	13.8	7001270100	40-SDS-20-U11/16-12F-SST
22	1 1/16-12 UN-2A	15.5	40	17.5	32	18.5	12.9	7001270400	40-SDS-22-U11/16-12F-SST