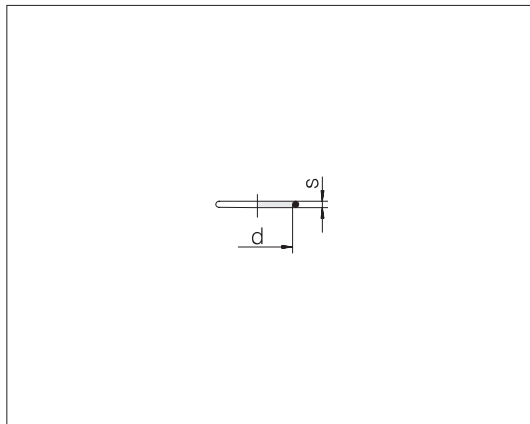


Anelli di tenuta per attacchi filettati

ISO 6149-2 / -3
ISO 11926-2 / -3

Il materiale standard degli O-Ring è NBR



Filettatura d2	O-Ring d x s	N. d'ordine	Denominazione
M 10 x 1	8,1 x 1,6	0908289990	GP-OR-8,1x1,6-NBR90
M 12 x 1,5	9,3 x 2,2	0908299990	GP-OR-9,3x2,2-NBR90
M 14 x 1,5	11,3 x 2,2	0908309990	GP-OR-11,3x2,2-NBR90
M 16 x 1,5	13,3 x 2,2	0908319990	GP-OR-13,3x2,2-NBR90
M 18 x 1,5	15,3 x 2,2	0908329990	GP-OR-15,3x2,2-NBR90
M 22 x 1,5	19,3 x 2,2	0908339990	GP-OR-19,3x2,2-NBR90
M 27 x 2	23,6 x 2,9	0908349990	GP-OR-23,6x2,9-NBR90
M 33 x 2	29,6 x 2,9	0908359990	GP-OR-29,6x2,9-NBR90
M 42 x 2	38,6 x 2,9	0908369990	GP-OR-38,6x2,9-NBR90
M 48 x 2	44,6 x 2,9	0908379990	GP-OR-44,6x2,9-NBR90
7/16-20 UNF-2A	8,92 x 1,83	0900249990	GP-OR-8,92x1,83-NBR90
1/2-20 UNF-2A	10,52 x 1,83	0900259990	GP-OR10,52x1,83-NBR90
9/16-18 UNF-2A	11,89 x 1,98	0900269990	GP-OR-11,89x1,98-NBR90
3/4-16 UNF-2A	16,36 x 2,21	0900279990	GP-OR-16,36x2,21-NBR90
7/8-14 UNF-2A	19,18 x 2,46	0900289990	GP-OR-19,18x2,46-NBR90
1 1/16-12 UN-2A	23,47 x 2,95	0900299990	GP-OR-23,47x2,95-NBR90
1 3/16-12 UN-2A	26,62 x 2,95	0900309990	GP-OR26,62x2,95-NBR90
1 5/16-12 UN-2A	29,74 x 2,95	0900319990	GP-OR-29,74x2,95-NBR90
1 5/8-12 UN-2A	37,47 x 3	0900329990	GP-OR-37,47x3-NBR90
1 7/8-12 UN-2A	43,69 x 3	0900339990	GP-OR43,69x3-NBR90