

Cross guiding slide, heavy duty

guided with slide bearings

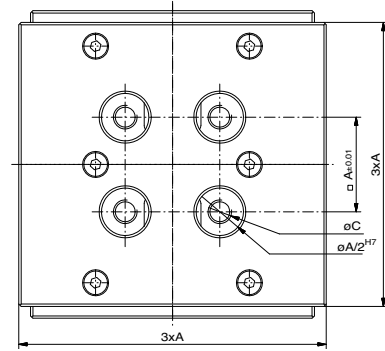
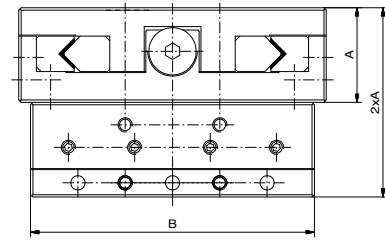
Nr.	A (AF)	B	C	max. load	shift	
92031	25	79	M6	75 kg	+/- 12,5	900
92425	40	130	M10	225 kg	+/- 20	4.000
92426	50	158	M12	375 kg	+/- 25	7.000

guided with roller bearings

Nr.	A (AF)	B	C	max. load	shift	
280498	25	79	M6	150 kg	+/- 13	900
280499	40	130	M10	450 kg	+/- 21	4.000
280500	50	158	M12	750 kg	+/- 26	7.000



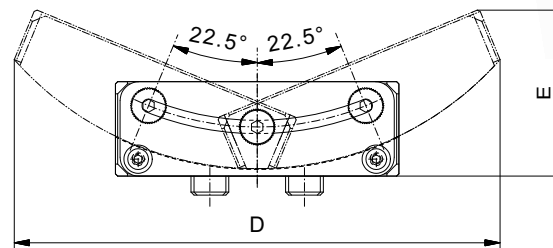
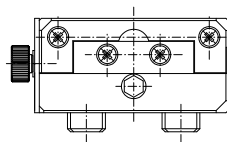
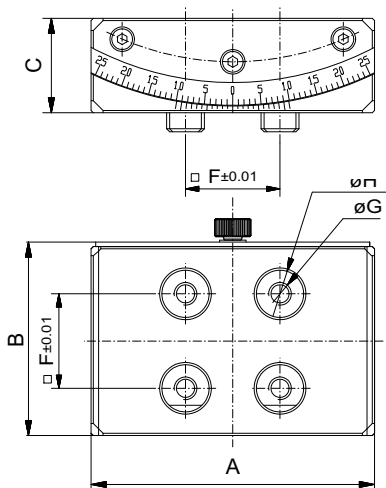
Version with roller bearings



Rocker AF25

for positioning, with screw clamping

Nr.	A	B	C	D	E	F (AF)	G	H	
82972	75	51	25	128,5	44	25	M6	12,5	242
283778	120	82	40	206	70	40	M8	20	900



ALUFIX CLASSIC elements can be anodized in different colours. The colour natural is standard, black (-1) is available as an alternative. Other colours on request.