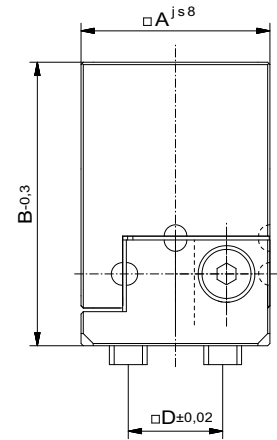


3D Shim block with integrated contour block

for fine adjustment in 3 axes X,Y,Z, using shim foils (page 78).

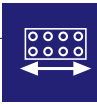
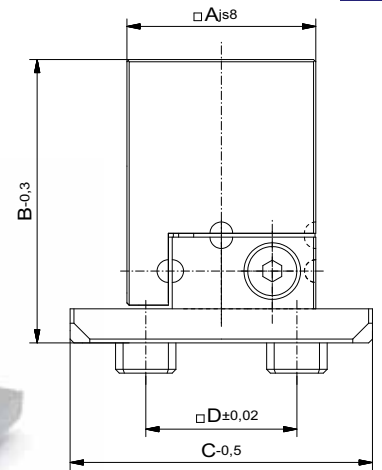
Nr.	D (AF)	A x A x B	shift	
91834	25	50x50x70	x,y,z: +/- 1,0 (0,7)	473
91835	40	80x80x120	x,y,z: +/- 1,6 (1,1)	2.074
91836	50	100x100x150	x,y,z: +/- 2,0 (1,4)	4.275



3D Shim block, reducer with contour block

for fine adjustment in 3 axes X,Y,Z, using shim foils (page 78).

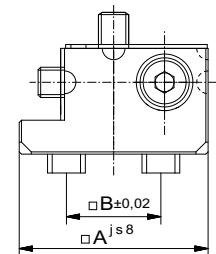
Nr.	D (AF)	A x A x B x C	shift	
91839	40/25	50x50x75x80	x,y,z: +/- 1,0 (0,7)	645
91840	50/40	50x50x75x100	x,y,z: +/- 1,6 (1,1)	743



3D Shim block base, side mounting

complete with shims and screws

Nr.	B (AF)	A x A	
92165	25	50x50	203
92166	40	80x80	778
92167	50	100x100	1.485



ALUFIX CLASSIC elements can be anodized in different colours. The colour natural is standard, black (-1) is available as an alternative. Other colours on request.

Other versions on request