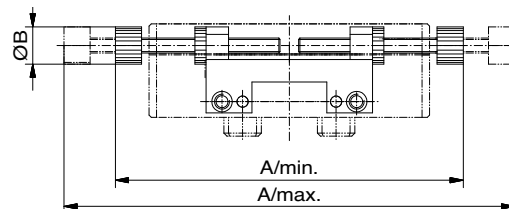


## Slide stop

for guiding or roller slides

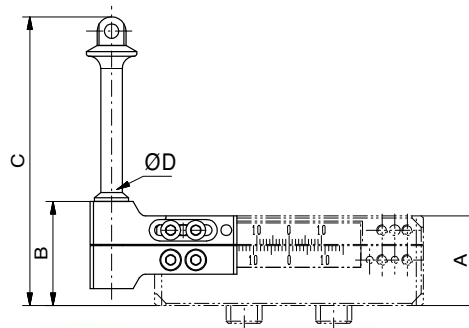
Nr.	AF	A/min	A/max	B	
82411	25	59	77	6,4	98
82412	40	93	120,5	10	115
82413	50	146,8	192	16	131
82414	50	186	242	19	140



## Positioning guide and pin

to fix guiding slides in "0" position

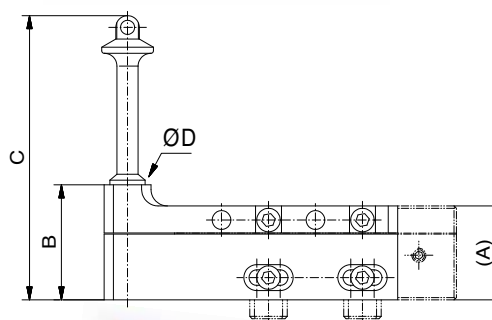
Nr.	A	(AF)	B	C	Type	
82711	25	20	80,5	6	left	50
84321	25	20	80,5	6	right	50
82833	40	47	110	8	left	180
84320	40	47	110	8	right	180
83083	50	58	135	12	left	294
84322	50	58	135	12	right	294



## Positioning guide and pin

to fix heavy duty (HD) guiding slides in "0" position

Nr.	A(AF)	B	C	D	Type	
92642	25	30,5	82	6	left	240
92643	25	30,5	82	6	right	240
92644	40	49	121	8	left	372
92645	40	49	121	8	right	372
92646	50	61	138	12	left	586
92647	50	61	138	12	right	586



**ALUFIX CLASSIC** elements can be anodized in different colours. The colour natural is standard, black (-1) is available as an alternative. Other colours on request.

Other dimensions on request