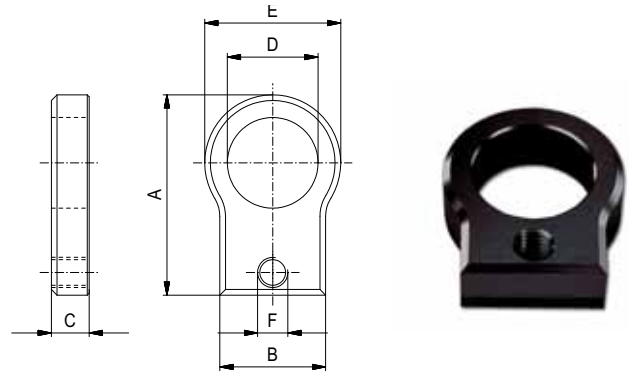


Pressure ring

plastic

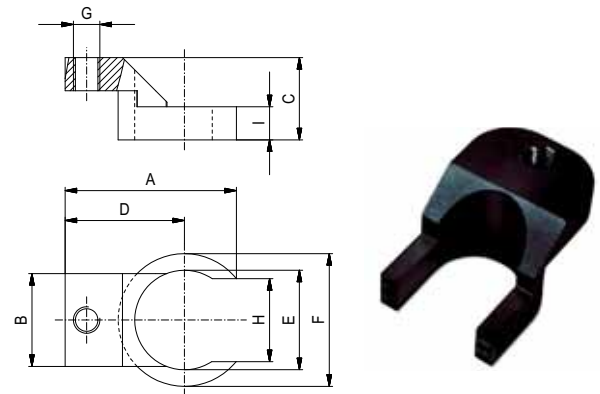
Nr.	A	B	C	D	E	F	
29095	43	28	10	24	36	8	15



Pressure fork

goose neck, plastic

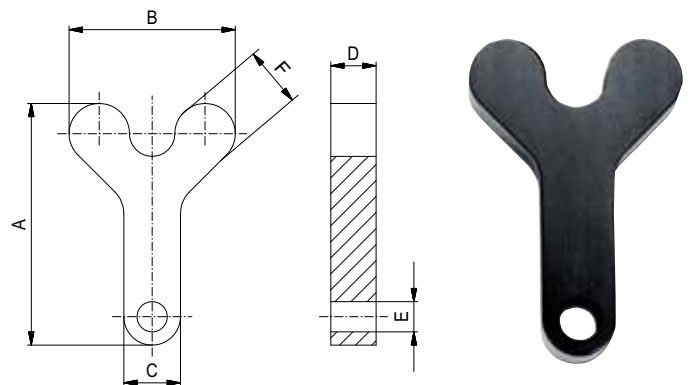
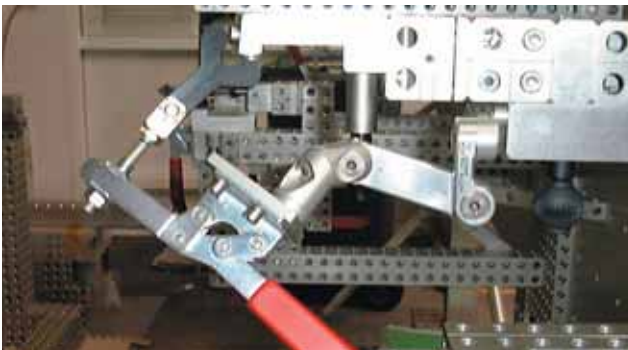
Nr.	A	B	C	D	E	F	G	H	I	
37212	51	28	24,8	36	30	40	8	25	25	10



Pressure fork

long, plastic

Nr.	A	B	C	D	E	F	
28367	64	44	15	12	8	16	20



In order to protect workpieces these pressure forks are made out of a polymer which contains no substances which could be dangerous to part during painting job at a later stage.

Other versions on request