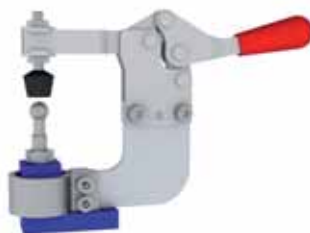
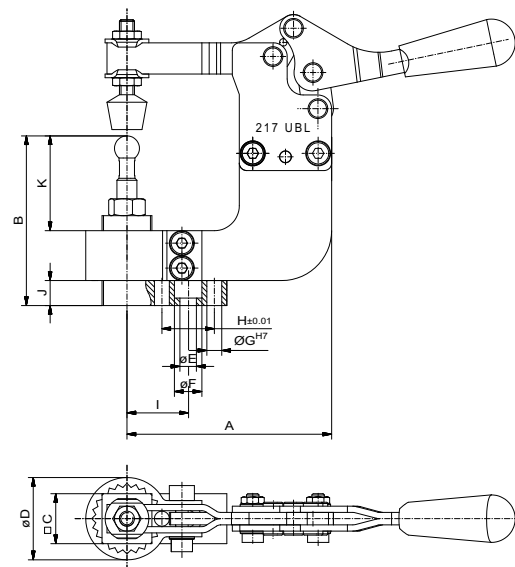


Clamp unit with ratchet grip

 spacing 15°, for toggle clamp, with ball, height adjustable, ball $\varnothing 10/M8 \times 1$

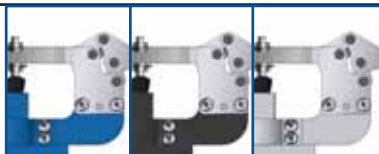
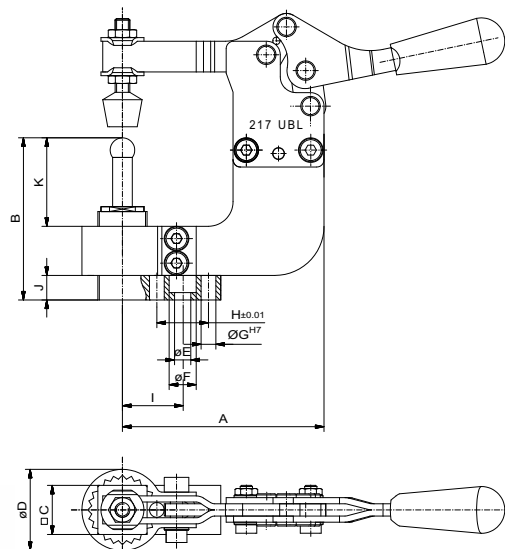
Nr.	A	B	C	D	E	F	G	H	I	J	K	pressure fork	g
282017	82	68	20	33	6,6	11	6	21	24,7	10	38	./.	200
282018	82	68	20	33	6,6	11	6	21	24,7	10	38	./.	200
282019	82	88	20	33	6,6	11	6	21	24,7	10	38	./.	220
282020	112	88	20	33	6,6	11	6	21	24,7	10	38	./.	220
282021	112	36	20	33	6,6	11	6	21	24,7	10	32	357582	240
282022	112	56	20	33	6,6	11	6	21	24,7	10	32	357582	240
282023	112	36	20	33	6,6	11	6	21	24,7	10	32	357578	250
282024	112	56	20	33	6,6	11	6	21	24,7	10	32	357578	250



Clamp unit with ratchet grip

 spacing 15°, for toggle clamp, with ball $\varnothing 10$, bore AF25

Nr.	A	B	C	D	E	F	G	H	I	J	K	pressure fork	g
282025	82	66	20	33	6,6	11	6	21	24,7	10	36	./.	200
282026	82	66	20	33	6,6	11	6	21	24,7	10	36	./.	200
282027	82	86	20	33	6,6	11	6	21	24,7	10	36	./.	220
282028	112	86	20	33	6,6	11	6	21	24,7	10	36	./.	220
282029	112	38	20	33	6,6	11	6	21	24,7	10	30	357582	240
282030	112	58	20	33	6,6	11	6	21	24,7	10	30	357582	240
282031	112	38	20	33	6,6	11	6	21	24,7	10	30	357578	250
282032	112	58	20	33	6,6	11	6	21	24,7	10	30	357578	250



i ALUFIX ratchet clamps can be anodized in different colours. The colour natural is standard, black (-1) is available as an alternative. Other colours on request.

i Toggle clamps included in supply are available in silver or black.